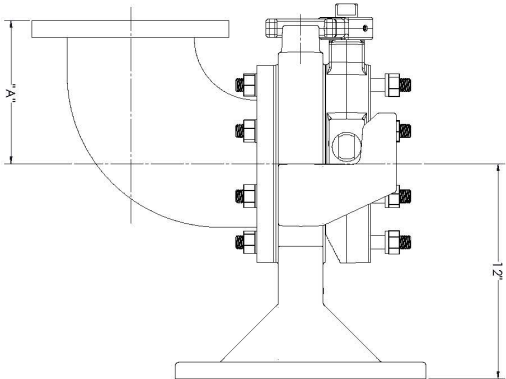
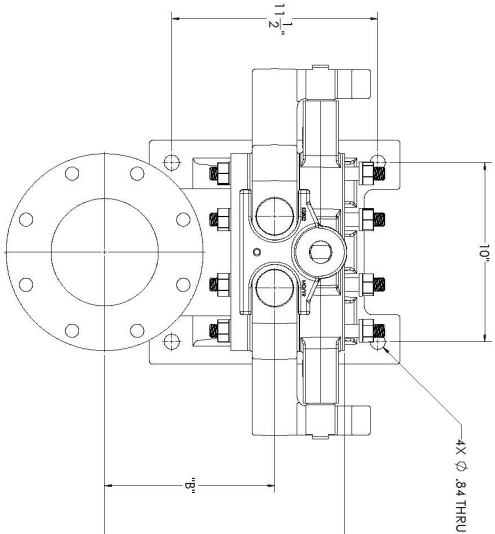
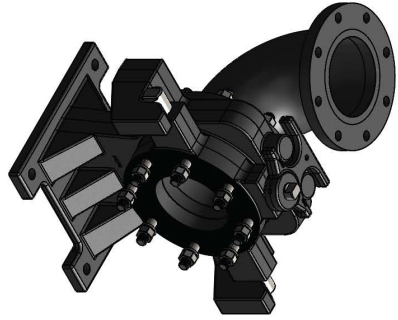


KVLS

Universal Liftout Assemblies

- Fits 4" & 6" Pumps
- Standard and Non-Sparking
- Reliable Sealing for High Pressure Applications
- Heavy Duty Construction Handles Pumps up to 2000 LBS Weight
- Compact Universal Design Allows for a Variety of Different Ansi Flange Elbows to Bolt on for Different Discharge Piping Connections



CATALOG NUMBER	DESCRIPTION	ITEM 1 BASE ASSY	ITEM 2 LOF	ITEM 3 ELBOW	"A"	"B"	"C"
KABS66	6" KEEN ADAPTIVE BASIN SYSTEM W/ 6X6 ANSI ELBOW	K0796-5-06	K0798-5-01	K0305-1-02	6"	9-1/2"	13-3/8"
KABS66	6" KEEN ADAPTIVE BASIN SYSTEM - NON-SPARKING W/ 6X6 ANSI ELBOW	K0796-5-06	K0798-5-10	K0305-1-02	6"	9-1/2"	13-3/8"
KABS66L	6" KEEN ADAPTIVE BASIN SYSTEM W/ 6X6 ANSI LONG RADIUS ELBOW	K0796-5-06	K0798-5-01	K0820-1-02	11-1/2"	13"	16-7/8"
KABS66L	6" KEEN ADAPTIVE BASIN SYSTEM NON-SPARKING W/ 6X6 ANSI LONG RADIUS ELBOW	K0796-5-06	K0798-5-10	K0820-1-02	11-1/2"	13"	16-7/8"
KABS68	6" KEEN ADAPTIVE BASIN SYSTEM W/ 6X6 ANSI ELBOW	K0796-5-06	K0798-5-01	K0377-1-01	9"	10-1/2"	14-3/8"
KABS68	6" KEEN ADAPTIVE BASIN SYSTEM - NON-SPARKING W/ 6X8 ANSI ELBOW	K0796-5-06	K0798-5-10	K0377-1-01	9"	10-1/2"	14-3/8"
KABS68L	6" KEEN ADAPTIVE BASIN SYSTEM W/ 6X8 ANSI LONG RADIUS ELBOW	K0796-5-06	K0798-5-01	K0821-1-02	14"	15-1/2"	19-3/8"
KABS68L	6" KEEN ADAPTIVE BASIN SYSTEM NON-SPARKING W/ 6X8 ANSI LONG RADIUS ELBOW	K0796-5-06	K0798-5-10	K0821-1-02	14"	15-1/2"	19-3/8"

KEEN KEEN PUMP
 415 STATE ROUTE 280 EAST
 ASHTABULA OHIO 44004
 PHONE 419-207-9400
 FAX 419-207-8631

NOTE: ALL DIMENSIONS ARE FOR REFERENCE ONLY. DO NOT SCALE DRAWING.

MATERIAL:	CHARTE	FINISH:	CHARTE
WARRANTY:	1 YEAR	FINISH:	CHARTE
DESIGN:	CHARTE	FINISH:	CHARTE
REVISION:	1	FINISH:	CHARTE

DATE: 03/27/2008
 DRAWN BY: J. L. BROWN
 CHECKED BY: J. L. BROWN
 SCALE: 1:1