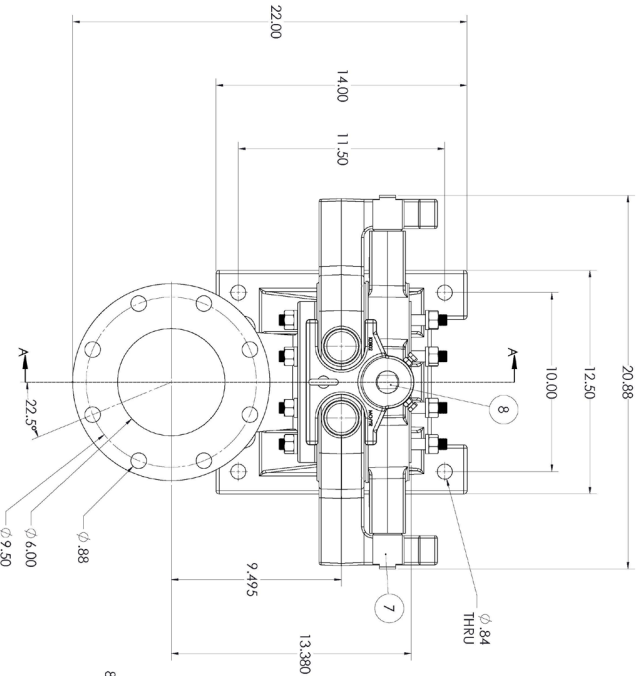
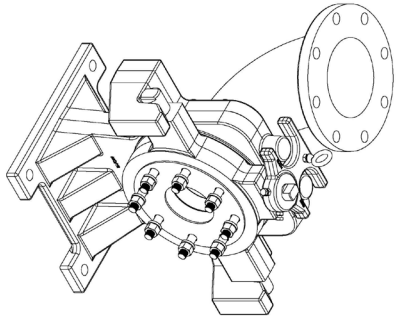


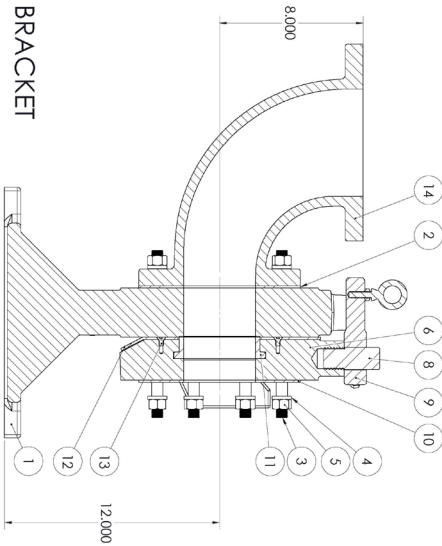
KVLS

Universal Liftout Assemblies

- Fits 4" & 6" Pumps
- Standard and Non-Sparking
- Reliable Sealing for High Pressure Applications
- Heavy Duty Construction Handles Pumps up to 2000 LBS Weight
- Compact Universal Design Allows for a Variety of Different Ansi Flange Elbows to Bolt on for Different Discharge Piping Connections



LIFT OUT ASSEMBLY SUPPLIED WITH UPPER GUID BRACKET
PART NUMBER: UGB-200-ASSY



| MTNO. | PART NUMBER | DESCRIPTION | QTY. |
|-------|---------------|----------------------------------|------|
| 1 | K0796-204 | Default | 1 |
| 2 | GASKAERD | Default | 1 |
| 3 | K0208-1-00 | LVAASH/8SS | 16 |
| 4 | LVAASH/5-SSS | 5/8 NUT | 16 |
| 5 | 9184CA-201 | 5/8 NUT | 16 |
| 6 | K0797-201 | | 2 |
| 7 | K0200-1-01 | | 1 |
| 8 | K0200-1-01 | | 1 |
| 9 | K0202-201 | | 1 |
| 10 | GASKAERD | | 1 |
| 11 | K0262-1 | | 1 |
| 12 | K0262-1-01 | | 1 |
| 13 | K0311-1-03 | 1/4-20 X 1/2 INCH SST 2040000000 | 8 |
| 14 | K0371-1-04 | 4" X 4" CAST ELBOW | 1 |
| 15 | EYEB3_8X1.25S | 3/8X1.25 EYE BOLT SST | 1 |
| 16 | NUT 3.8 | 3/8" Hex NUT | 1 |
| 17 | CS5_16X1.25SS | SCREW C2.9-5/16 X 1.25 | 2 |
| 18 | NUT 5_16 | | 2 |

| | | | |
|---|----------|--|----------|
| NOTE: ALL DIMENSIONS ARE FOR REFERENCE ONLY. DO NOT SCALE DRAWING | | MATERIAL: COATED | |
| A RELATED TO PRODUCTION | | FINISH: RING-153 MICROBONDS UNLESS OTHERWISE SPECIFIED | |
| DATE | DATE | DATE | DATE |
| 02/21/17 | 02/21/17 | 02/21/17 | 02/21/17 |
| DESCRIPTION | | DESCRIPTION | |
| | | KVLS LIFT OUT | |
| | | 4 INCH TO 6 INCH ELBOW | |
| | | KVLS-46 | |

KEEN PUMP COMPANY
4715 STATE ROUTE 280 EAST
ASHLAND, OHIO 44805
PHONE: 419-207-9600
FAX: 419-207-8031