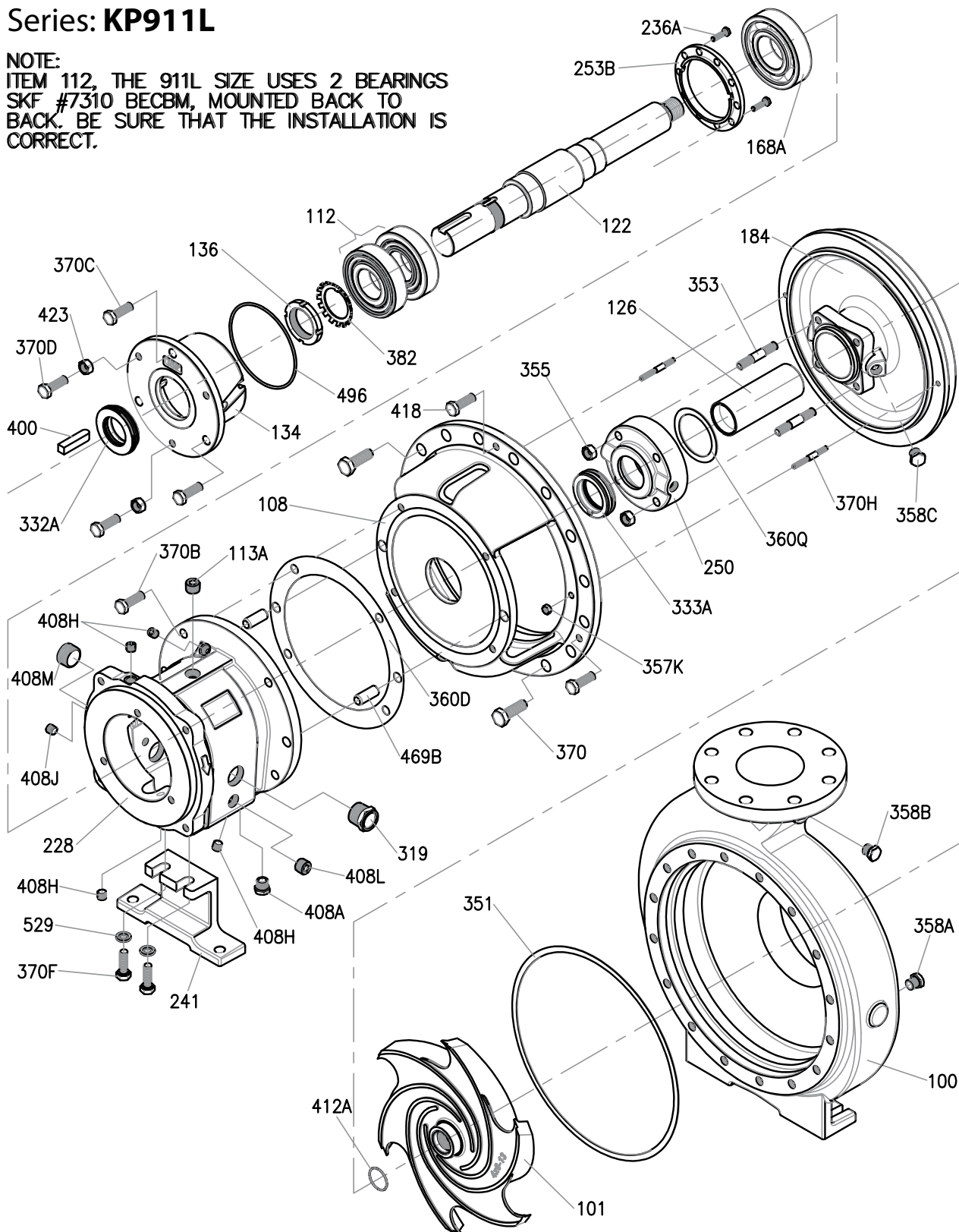


**EXPLODED VIEW DRAWING****Series: KP911L**

NOTE:  
 ITEM 112, THE 911L SIZE USES 2 BEARINGS  
 SKF #7310 BECBM, MOUNTED BACK TO  
 BACK. BE SURE THAT THE INSTALLATION IS  
 CORRECT.





| ITEM | QTY. | DESCRIPTION               | MATERIAL     | PART No.  |
|------|------|---------------------------|--------------|-----------|
| 100  | 1    | Casing 1x2-10             | Cast iron    | 03730100  |
|      |      |                           | CF8M         | 03730101  |
|      |      | Casing 1.5x3-10           | Cast iron    | 03730110  |
|      |      |                           | CF8M         | 03730111  |
|      |      | Casing 2x3-10             | Cast iron    | 03730120  |
|      |      |                           | CF8M         | 03730121  |
|      |      | Casing 3x4-10             | Cast iron    | 03730130  |
|      |      |                           | CF8M         | 03730131  |
|      |      | Casing 3x4-10H            | Cast iron    | 03730140  |
|      |      |                           | CF8M         | 03730141  |
|      |      | Casing 4x6-10             | Cast iron    | 03730150  |
|      |      |                           | CF8M         | 03730151  |
|      |      | Casing 4x6-10H            | Cast iron    | 03730160  |
|      |      |                           | CF8M         | 03730161  |
| 101  | 1    | Impeller 1x2-10           | Cast iron    | 03750100B |
|      |      |                           | CF8M         | 03750101B |
|      |      | Impeller 1.5x3-10         | Cast iron    | 03750110B |
|      |      |                           | CF8M         | 03750111B |
|      |      | Impeller 2x3-10           | Cast iron    | 03750120B |
|      |      |                           | CF8M         | 03750121B |
|      |      | Impeller 3x4-10           | Cast iron    | 03750130B |
|      |      |                           | CF8M         | 03750131B |
|      |      | Impeller 3x4-10H          | Cast iron    | 03750140B |
|      |      |                           | CF8M         | 03750141B |
|      |      | Impeller 4x6-10           | Cast iron    | 03750150B |
|      |      |                           | CF8M         | 03750151B |
|      |      | Impeller 4x6-10H          | Cast iron    | 03750160B |
|      |      |                           | CF8M         | 03750161B |
| 105  | 1    | Lantern ring 911 L        | Teflon®      | S/N       |
| 106  | 5    | Cord ring 3/8"            | Teflon®      | S/N       |
| 107  | 1    | Stuffing box 911 L        | CF8M         | S/N       |
| 108  | 1    | Adapter 10"               | Cast iron    | 03710003  |
| 112  | 1    | Outer bearing             | Steel        | 31020028  |
| 113A | 1    | Dry seal cap ½"           | Steel        | 93010112  |
| 122  | 1    | Shaft with sleeve         | Steel 4140   | 30300353  |
|      |      | Shaft without sleeve      | 316 SS       | 30300361  |
| 126  | 1    | Sleeve                    | 316 SS       | 30300683  |
| 134  | 1    | Bearing support           | Cast iron    | 03780003  |
| 136  | 1    | Safety nut M10            | Steel        | 91010452  |
| 168A | 1    | Inner bearing             | Steel        | 31020015  |
| 184  | 1    | Seal plate 10"            | Cast iron    | 03770060  |
|      |      |                           | CF8M         | 03770061  |
| 228  | 1    | Frame 911 L               | Cast iron    | 03720003  |
| 236A | 10   | Screw 5/16" x ¾"          | Steel        | 91010221  |
| 241  | 1    | Frame support 8¼"         | Cast iron    | 03790001  |
|      |      | Frame support 10"         | Cast iron    | 03790002  |
| 253B | 1    | Clamp ring 911 L          | Steel        | 30400352  |
| 319  | 1    | Oil sight glass           | Steel/Glass  | 31120011  |
| 332A | 1    | Outboard lab'y seal 911 L | Bronze       | 31030206  |
| 333A | 1    | Inboard lab'y seal 911 L  | Bronze       | 31030205  |
| 351  | 1    | Body gasket 10"           | EPDM         | 92010197  |
| 353  | 4    | Stud screw ½"x 3¼" lgo.   | 304 SS       | 91010378  |
| 355  | 4    | Nut ½"                    | 304 SS       | 91010435  |
| 357K | 2    | Nut 5/16"                 | 304 SS       | 91010432  |
| 358C | 1    | Plug 3/8"                 | Cast iron    | 93010149  |
|      |      |                           | 304 SS       | 93010131  |
| 360D | 1    | Adapter gasket            | Vellumoid    | 92010171  |
| 360Q | 1    | Seal flange gasket        | EPDM         | 92010185  |
| 370  | 12   | Screw 5/8"x 1½"           | Carbon Steel | 91010282  |
|      |      |                           | 304 SS       | 91010354  |
| 370B | 4    | Screw ½"x 1½"             | Carbon Steel | 91010263  |
| 370C | 3    | Screw ½"x 1½"             | Carbon Steel | 91010263  |
| 370D | 3    | Screw ½"x 1½"             | Carbon Steel | 91010263  |
| 370F | 2    | Screw ½"x 1½"             | Carbon Steel | 91010263  |
| 370H | 2    | Stud screw 5/16" x 2¾"    | 304 SS       | 91010372  |
| 382  | 1    | Lock washer MB10          | Steel        | 91010067  |

## PART LIST

### Series: KP911L

| ITEM | QTY. | DESCRIPTION     | MATERIAL   | PART No. |
|------|------|-----------------|------------|----------|
| 400  | 1    | Key ½"          | Steel 1018 | 30400637 |
| 408A | 1    | Plug 3/8"       | Cast iron  | 93010149 |
| 408H | 4    | Dry seal cap ¼" | Steel      | 93010113 |
| 408J | 1    | Dry seal cap ¼" | Steel      | 93010113 |
| 408L | 1    | Dry seal cap ½" | Steel      | 93010112 |
| 408M | 1    | Dry seal cap 1" | Steel      | 93010111 |
| 412A | 1    | Impeller gasket | Teflon®    | 92010058 |
| 418  | 3    | Screw ½"x 1½"   | 304 SS     | 91010351 |
| 423  | 3    | Nut ½"          | Steel      | 91010415 |
| 496  | 1    | Support gasket  | Buna-N     | 92010042 |
| 529  | 2    | Spring washer   | Steel      | 91010014 |



| ITEM | QTY. | DESCRIPTION                 | MATERIAL     | PART No.  |
|------|------|-----------------------------|--------------|-----------|
| 100  | 1    | Casing 1.5x3-13             | Cast iron    | 03730170  |
|      |      |                             | CF8M         | 03730171  |
|      |      | Casing 2x3-13               | Cast iron    | 03730180  |
|      |      |                             | CF8M         | 03730181  |
|      |      | Casing 3x4-13               | Cast iron    | 03730190  |
|      |      |                             | CF8M         | 03730191  |
|      |      | Casing 4x6-13               | Cast iron    | 03730200  |
|      |      |                             | CF8M         | 03730201  |
| 101  | 1    | Impeller 1.5x3-13           | Cast iron    | 03750170B |
|      |      |                             | CF8M         | 03750171B |
|      |      | Impeller 2x3-13             | Cast iron    | 03750180B |
|      |      |                             | CF8M         | 03750181B |
|      |      | Impeller 3x4-13             | Cast iron    | 03750190B |
|      |      |                             | CF8M         | 03750191B |
|      |      | Impeller 4x6-13             | Cast iron    | 03750200B |
|      |      |                             | CF8M         | 03750201B |
| 105  | 1    | Lantern ring 911 L          | Teflon®      | S/N       |
| 106  | 5    | Cord ring 3/8"              | Teflon®      | S/N       |
| 107  | 1    | Stuffing box 911 L          | CF8M         | S/N       |
| 108  | 1    | Adapter 13"                 | Cast iron    | 03710004  |
| 112  | 1    | Outer bearing               | Steel        | 31020028  |
| 113A | 1    | Dry seal cap 1/2"           | Steel        | 93010112  |
| 122  | 1    | Shaft 911 L                 | Steel 4140   | 30300353  |
|      |      | Solid shaft 911 L           | 316 SS       | 30300361  |
| 126  | 1    | Sleeve 911 L                | 316 SS       | 30300683  |
| 134  | 1    | Bearing support             | Cast iron    | 03780003  |
| 136  | 1    | Safety nut M10              | Steel        | 91010452  |
| 168A | 1    | Inner bearing               | Steel        | 31020015  |
| 184  | 1    | Seal plate 13"              | Cast iron    | 03770070  |
| 184  |      | Seal plate 13"              | CF8M         | 03770071  |
| 228  | 1    | Frame 911 L                 | Cast iron    | 03720003  |
| 236A | 10   | Screw 5/16" x 3/4"          | Steel        | 91010221  |
| 241  | 1    | Frame support 10"           | Cast iron    | 03790002  |
| 253B | 1    | Clamp ring 911 L            | Steel        | 30400352  |
| 319  | 1    | Oil sight glass             | Steel/Glass  | 31120011  |
| 332A | 1    | Outboard lab'y seal 911 L   | Bronze       | 31030206  |
| 333A | 1    | Inboard lab'y seal 911 L    | Bronze       | 31030205  |
| 351  | 1    | Body gasket 13"             | EPDM         | 92010198  |
| 353  | 4    | Stud screw 1/2" x 3/4" lgo. | 304 SS       | 91010378  |
| 355  | 4    | Nut 1/2"                    | 304 SS       | 91010435  |
| 357K | 2    | Nut 5/16"                   | 304 SS       | 91010432  |
| 358C | 1    | Plug 3/8"                   | Cast iron    | 93010149  |
|      |      |                             | 304 SS       | 93010131  |
| 360D | 1    | Adapter gasket              | Vellumoid    | 92010171  |
| 360Q | 1    | Seal flange gasket          | EPDM         | 92010185  |
| 370  | 16   | Screw 5/8" x 1 1/2"         | Carbon Steel | 91010282  |
|      |      |                             | 304 SS       | 91010354  |
| 370B | 4    | Screw 1/2" x 1 1/2"         | Carbon Steel | 91010263  |
| 370C | 3    | Screw 1/2" x 1 1/2"         | Carbon Steel | 91010263  |
| 370D | 3    | Screw 1/2" x 1 1/2"         | Carbon Steel | 91010263  |
| 370F | 2    | Screw 1/2" x 1 1/2"         | Carbon Steel | 91010263  |
| 370H | 2    | Stud screw 5/16" x 2 3/4"   | 304 SS       | 91010372  |
| 382  | 1    | Lock washer MB10            | Steel        | 91010067  |
| 400  | 1    | Key 1/2"                    | Steel 1018   | 30400637  |
| 408A | 1    | Plug 3/8"                   | Cast iron    | 93010149  |
| 408H | 4    | Dry seal cap 1/4"           | Steel        | 93010113  |
| 408J | 1    | Dry seal cap 1/4"           | Steel        | 93010113  |
| 408L | 1    | Dry seal cap 1/2"           | Steel        | 93010112  |
| 408M | 1    | Dry seal cap 1"             | Steel        | 93010111  |
| 412A | 1    | Impeller gasket             | Teflon®      | 92010058  |
| 418  | 3    | Screw 1/2" x 1 1/2"         | 304 SS       | 91010351  |
| 423  | 3    | Nut 1/2"                    | Steel        | 91010415  |
| 496  | 1    | Support gasket              | Buna-N       | 92010042  |
| 529  | 2    | Spring washer               | Steel        | 91010014  |