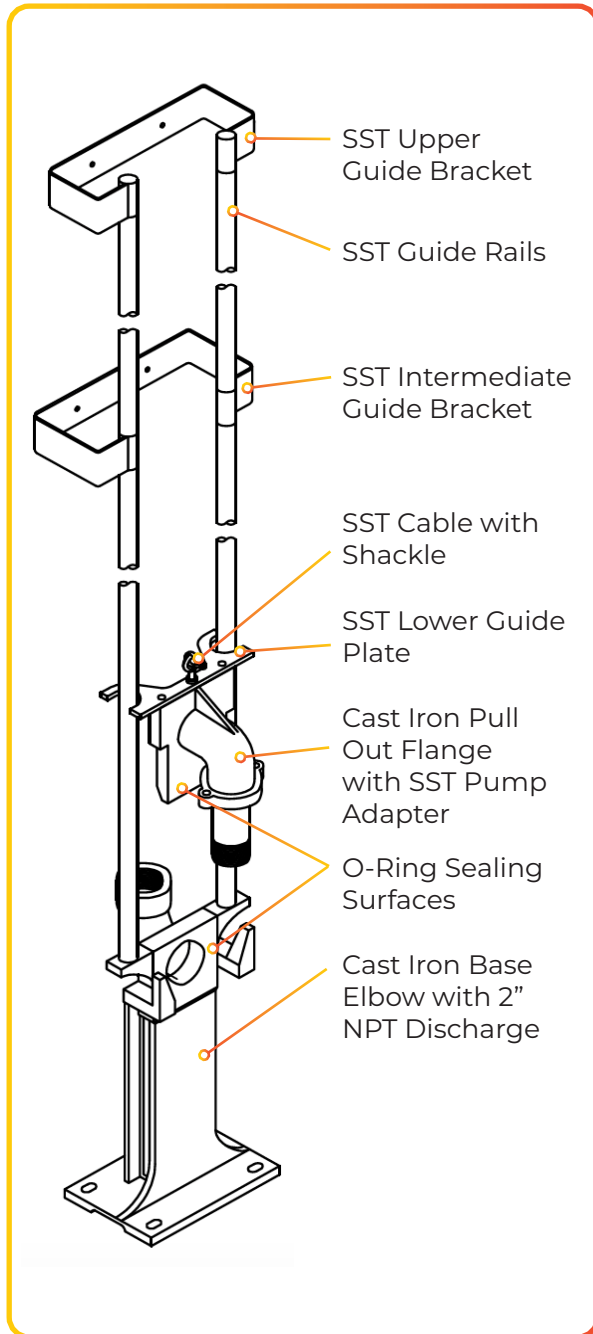




KL2 & KL2CV

KEEN 2hp Grinder Liftout



KL2



KL2CV

- 2" NPT Pump Connection
 - 2" NPT Female Vertical Discharge
 - 3/4" or 1" Guide Rails
 - Stress-Free Rail System
 - Durable Cast Iron Base and Lift-Out Flange
 - Stainless Steel Pump Adapter
 - Stainless Steel Guide Plate
-
- Base elbow provides quick and easy installation and removal of vertical discharge 2" Sewage Pumps
 - Quick-connect stainless steel pump adapters
 - Taper-base arms support liftout elbow and pump
 - Positive O-ring sealing face
 - Automatic sealing pulls mating faces together
 - Carries 100% pump load - no stress on rails

REV 01/2024