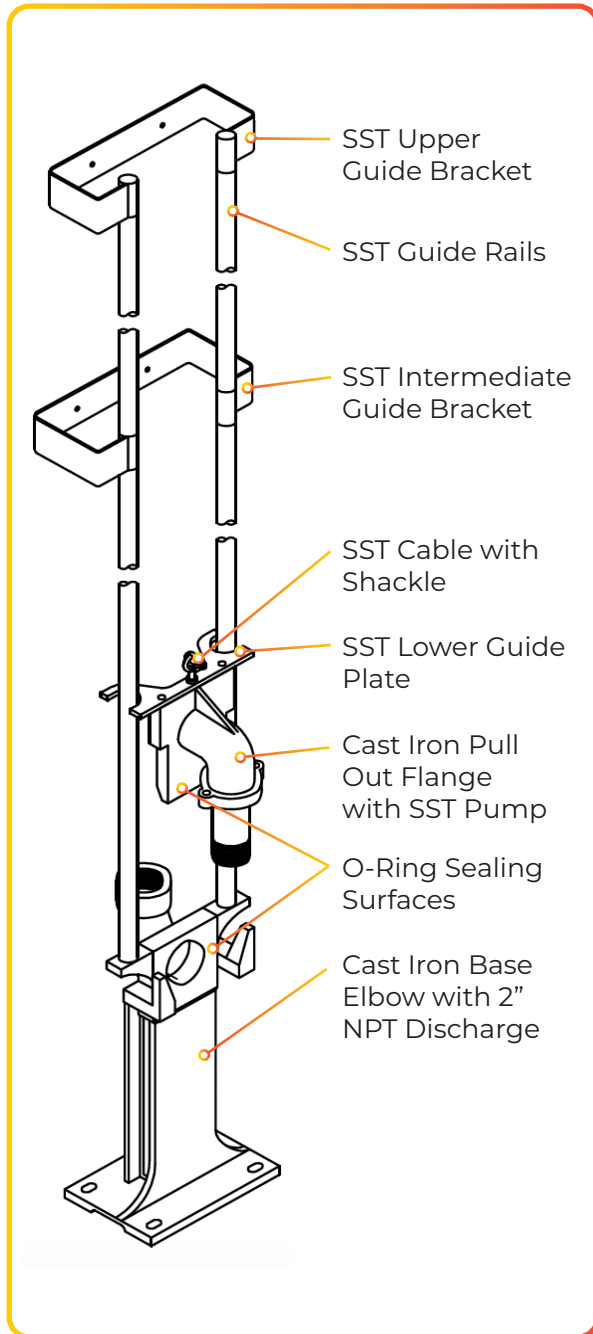




# KL1 & KL1CV

KEEN 2hp Grinder Liftout



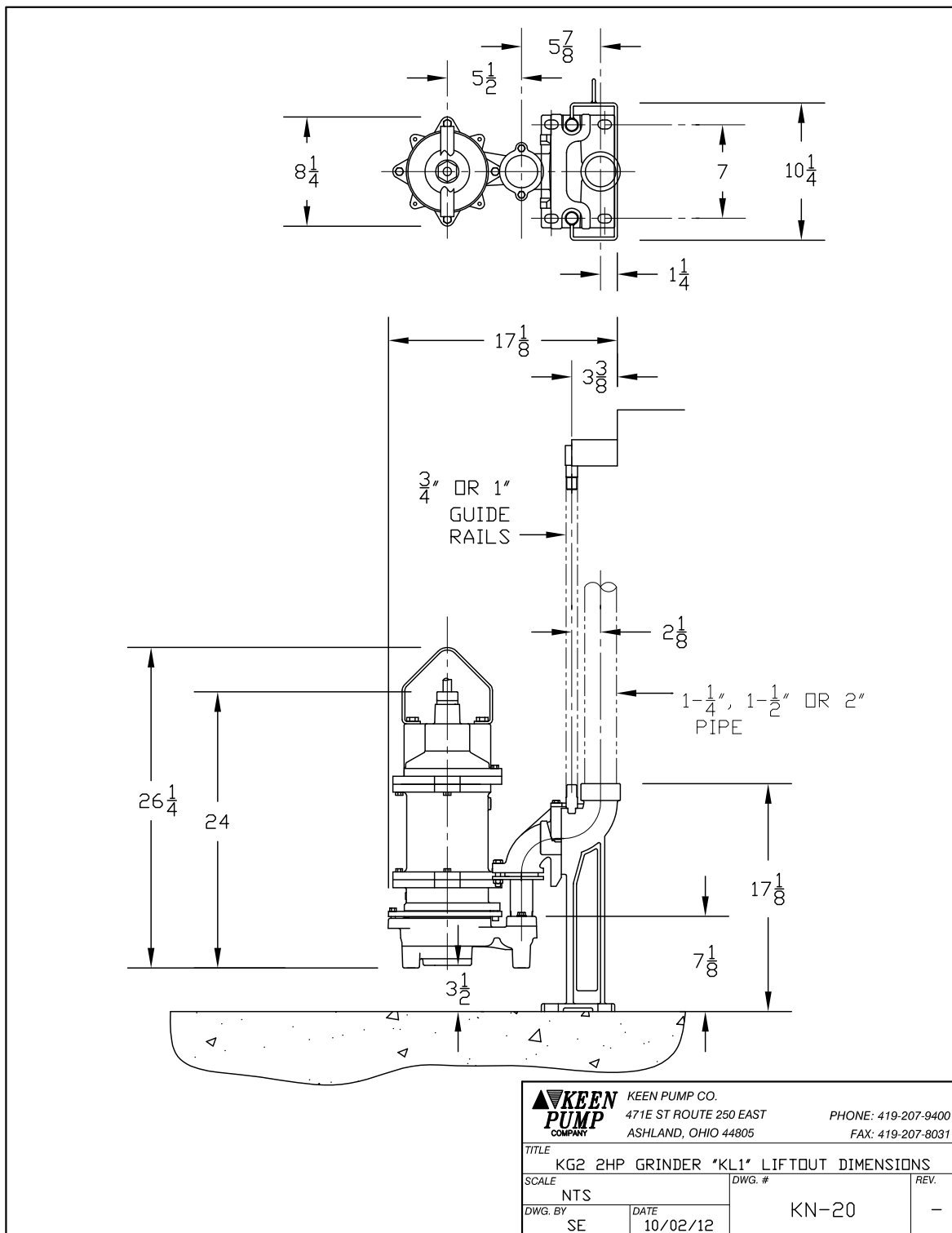
KL1



KL1CV

- 1-1/4" NPT Pump Connection
  - 2" NPT Female Vertical Discharge
  - 3/4" or 1" Guide Rails
  - Stress-Free Rail System
  - Durable Cast Iron Base and Lift-Out Flange
  - Stainless Steel Pump Adapter
  - Stainless Steel Guide Plate
- 
- Base elbow provides quick and easy installation and removal of vertical discharge 1 or 2HP Grinder Pumps
  - Quick-connect stainless steel pump adapters
  - Taper-base arms support liftout elbow and pump
  - Positive O-ring sealing face
  - Automatic sealing pulls mating faces together
  - Carries 100% pump load - no stress on rails

REV 01/2024



		KEEN PUMP CO. 471E ST ROUTE 250 EAST ASHLAND, OHIO 44805		PHONE: 419-207-9400 FAX: 419-207-8031	
TITLE KG2 2HP GRINDER "KL1" LIFTOUT DIMENSIONS					
SCALE NTS		DWG. # KN-20		REV. -	
DWG. BY SE		DATE 10/02/12			