



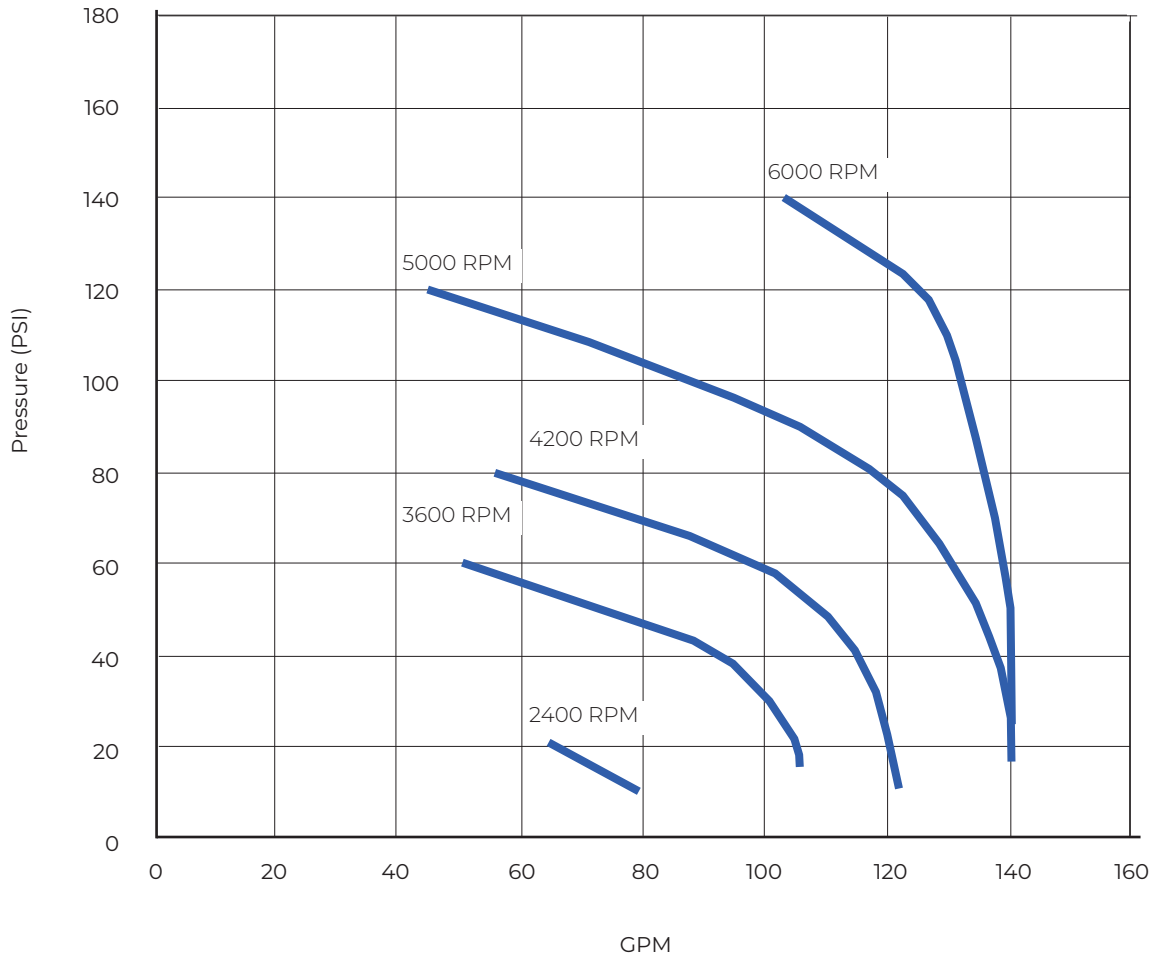
KCPMSST

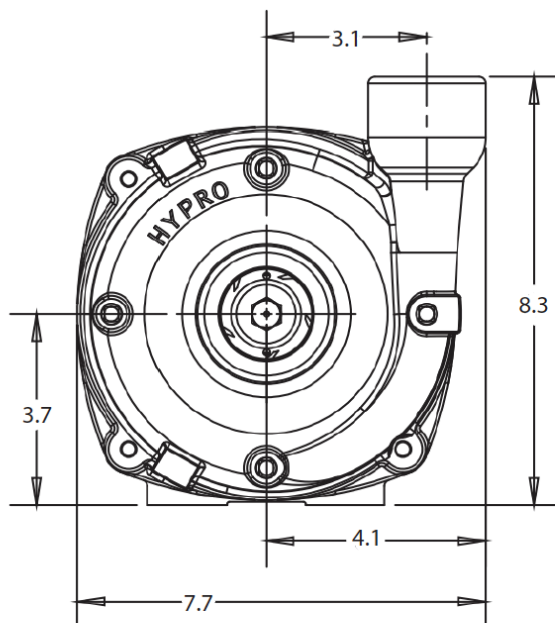
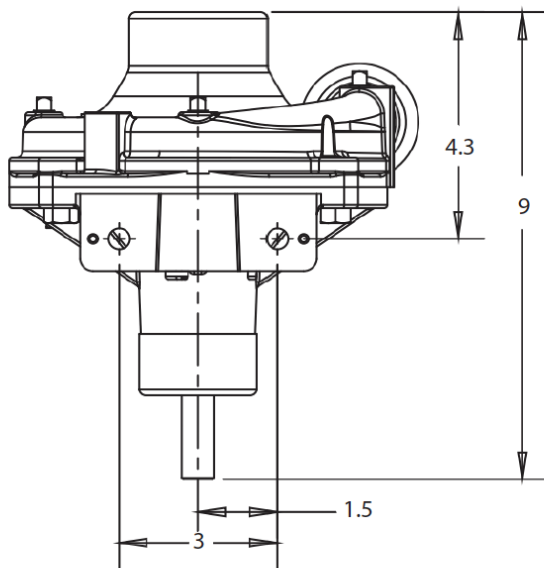
Pedestal Mounted Centrifugal Pump

- Full Stainless Steel Design
- Up To 6000 RPM
- Flows Up To 140 GPM
- Pressure Up To 323 TDH
- Shaft Size : 5/8 " Solid


PUMP SERIES		KCPMSST KEEN CENTRIFUGAL END SUCTION PUMP			
Inlet	1.5"	Discharge	1.25"	Max RPM	6000

GPM: _____ TDH: _____





Dimensions Are In Inches

	KEEN PUMP CO. 471 E ST ROUTE 250 EAST ASHLAND, OHIO 44805		PHONE: 419-207-9400 FAX: 419-207-8031
	TITLE KCPMSST		
SCALE	NTS	DWG. #	REV.
DWG. BY	DATE	KCPMSST	
DS	03/24/21	-	