



E-ONE

Suspended System
1-2HP Grinders



MYERS KMR(RWG)

Liftout Check Valve



BARNES C CHANNEL

Channel Liftout
2HP Grinders



LIBERTY / ABS

Horizontal
Discharge
2HP Grinders

Horizontal
Discharge
2HP Grinders



HYDROMATIC HYDR-O-RAIL

Straddled Rails, 4" & 6"
Solids-Handling



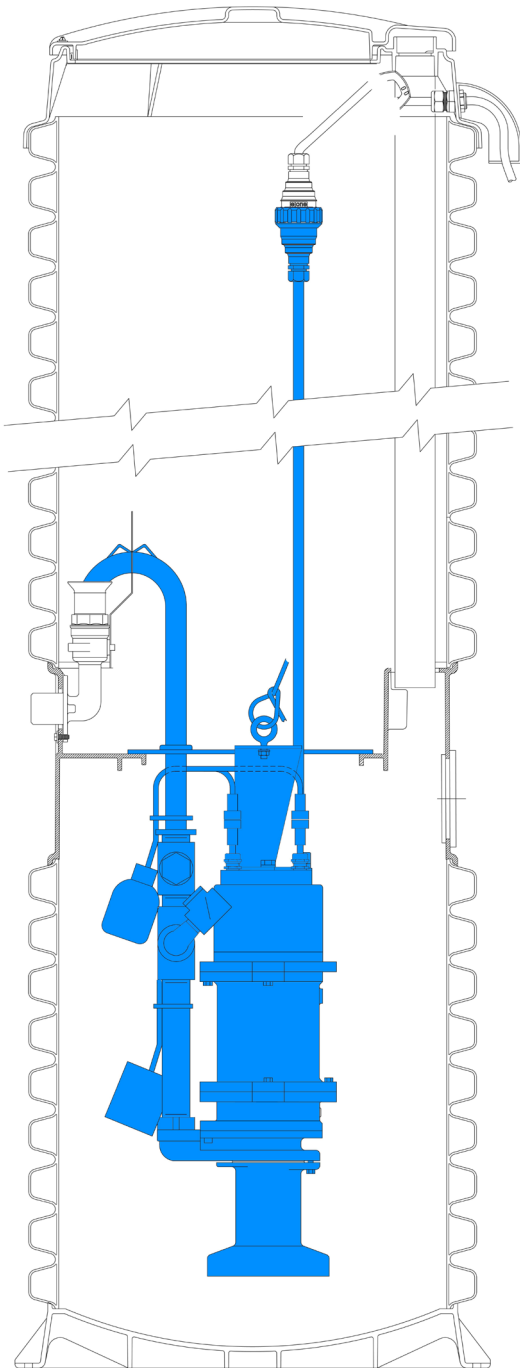
BARNES ECO TRAN

Suspended v.2
2HP Grinders



Custom Dry-Pit
Replacements

Please note: Customer may be required to supply existing pump for proper engineered replacement



KPCG-21CTSL
Progressive
Cavity



KG2-2301CSL
Centrifugal



MODEL	PUMP	HP	VOLTS	AMPS	HERTZ	WEIGHT
KER	KG2-2301CSL	2	230	15.5	60	130
KER-PC	KPCG 21CSL	1	208/230	8.0	60	135

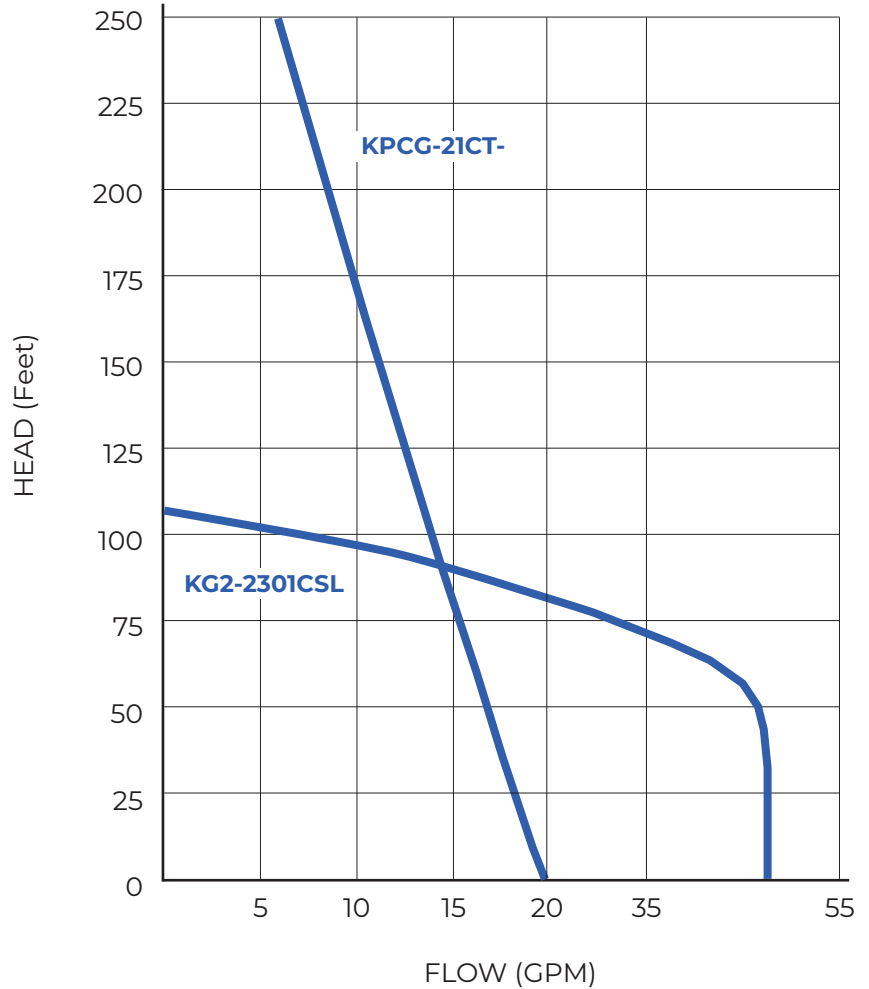


“EQD” (2000 Series)

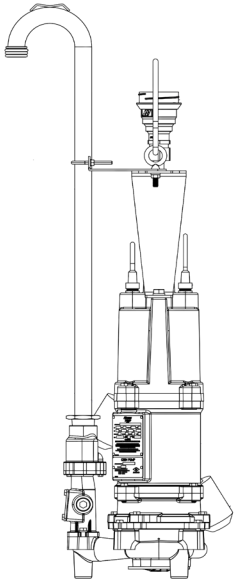


“EQD” (Extreme Series)

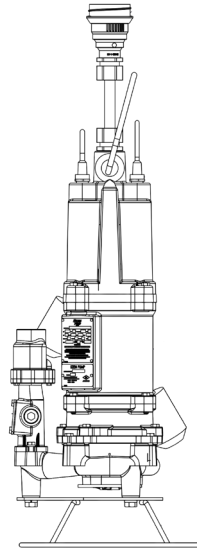
-OR-



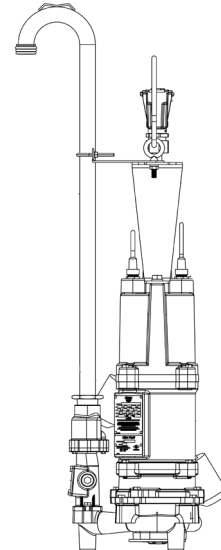
*E/One® is a registered trademark of Environment One Corporation and is not affiliated with Keen Pump Company, Inc.



"KER-0013"
"KERPC-0013"

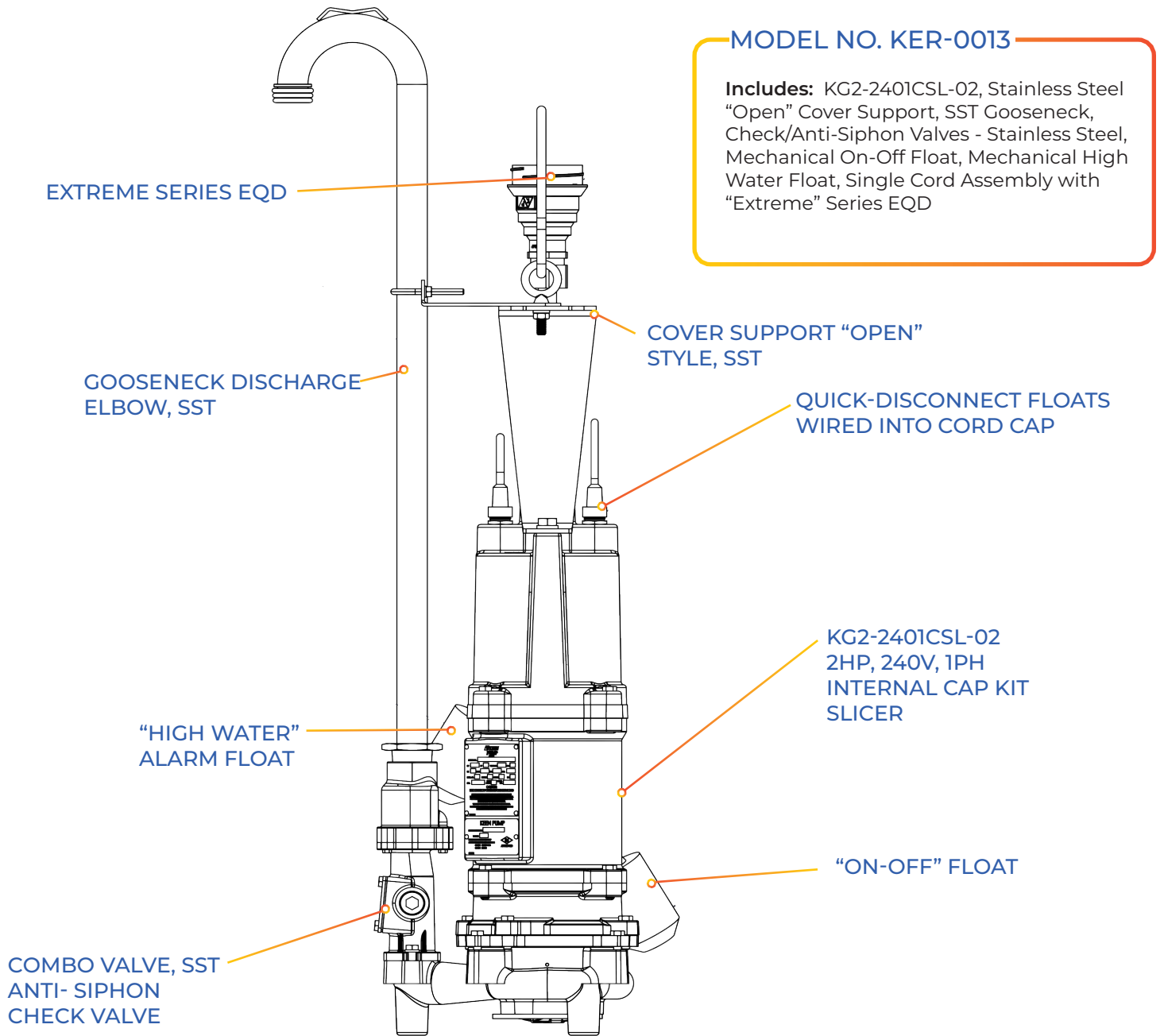


"KER-0014"
"KERPC-0014"



"KER-0022"
"KERPC-0022"

*E/One® is a registered trademark of Environment One Corporation and is not affiliated with Keen Pump Company, Inc.



E/One® is a registered trademark of Environment One Corporation and is not affiliated with Keen Pump Company, Inc.

REV 01/2024

MODEL NO. KER-0014

Includes: KG2-2401CSL-02, Stainless Steel Stand, Check/Anti-Siphon Valves - Stainless Steel, Mechanical On-Off Float, Mechanical High Water Float, Single Cord Assembly with "Extreme" Series EQD.

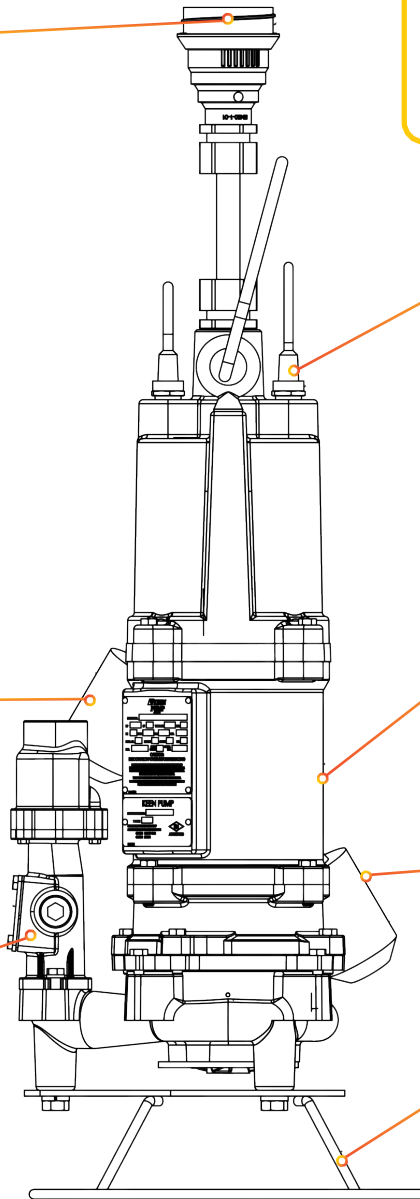
EXTREME SERIES EQD

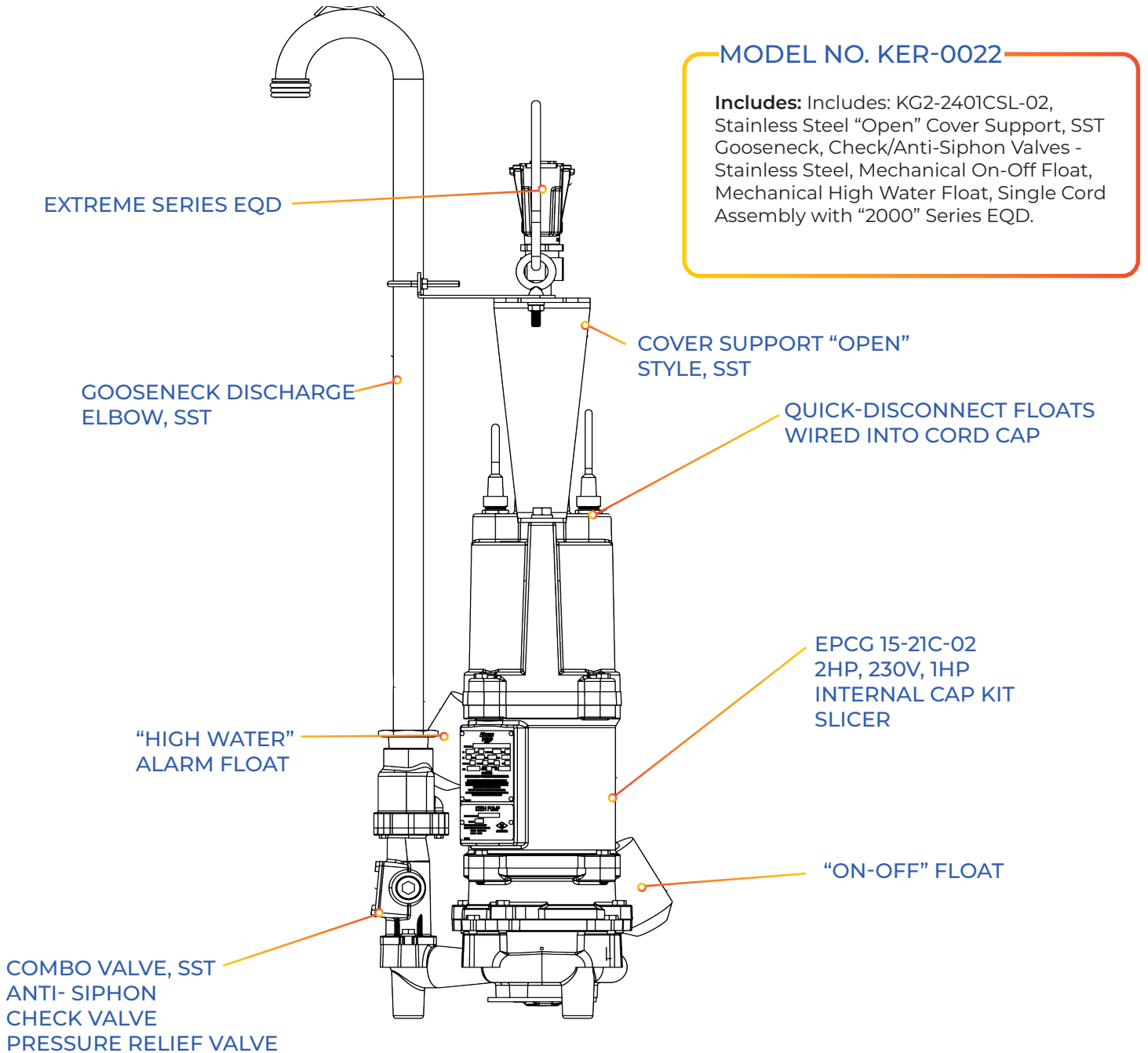
QUICK-DISCONNECT FLOATS
WIRED INTO CORD CAPKG2-2401CSL-02
2HP, 240V, 1PH
INTERNAL CAP KIT
SLICER"HIGH WATER"
ALARM FLOAT

"ON-OFF" FLOAT

COMBO VALVE, SST
ANTI- SIPHON
CHECK VALVE

PUMP STAND, SST



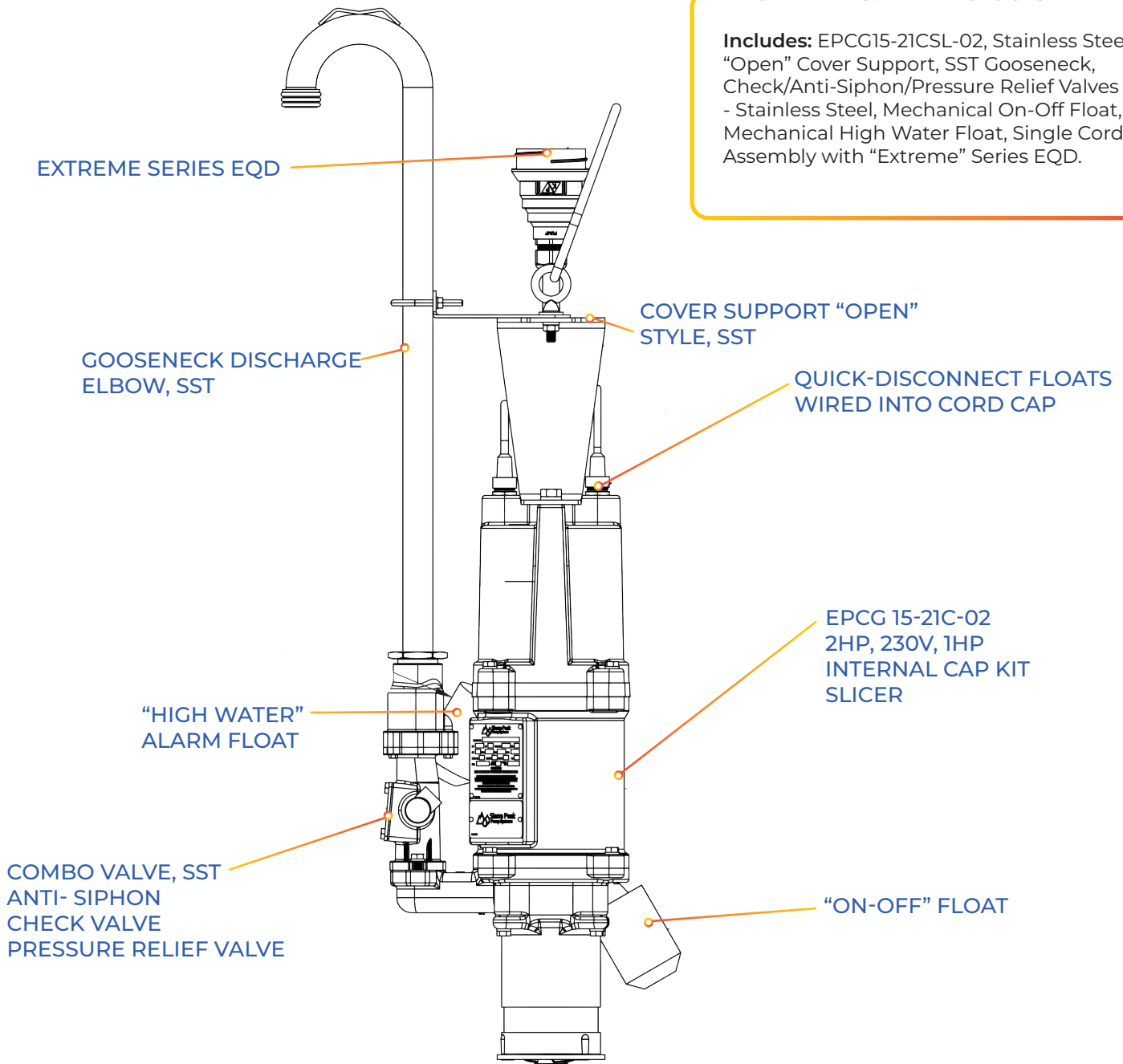


E/One® is a registered trademark of Environment One Corporation and is not affiliated with Keen Pump Company, Inc.

REV 01/2024

MODEL NO. KERPC-0013

Includes: EPCG15-21CSL-02, Stainless Steel "Open" Cover Support, SST Gooseneck, Check/Anti-Siphon/Pressure Relief Valves - Stainless Steel, Mechanical On-Off Float, Mechanical High Water Float, Single Cord Assembly with "Extreme" Series EQD.





MODEL NO. KERPC-0014

Includes: EPCG15-21CSL-02, Stainless Steel Stand, Check/Anti-Siphon/Pressure Relief Valves - Stainless Steel, Mechanical On-Off Float, Mechanical High Water Float, Single Cord Assembly with "Extreme" Series EQD.

EXTREME SERIES EQD

QUICK-DISCONNECT FLOATS WIRED INTO CORD CAP

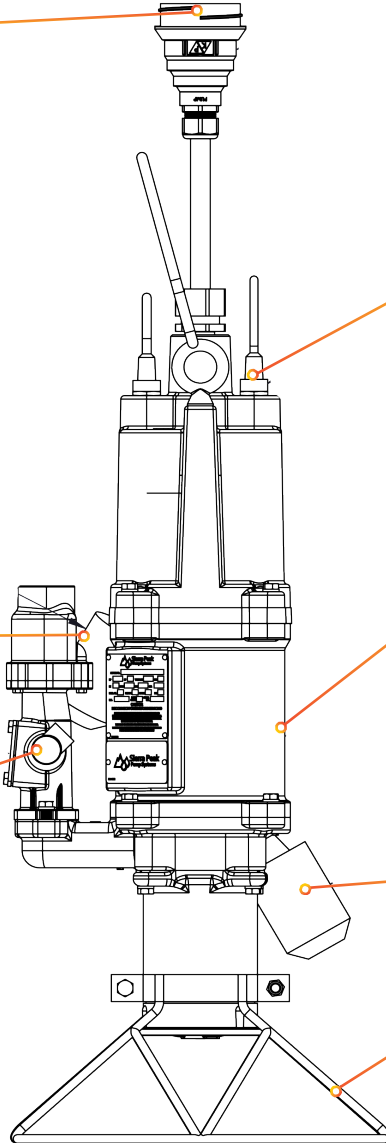
EPCG 15-21C-02
2HP, 230V, 1HP
INTERNAL CAP KIT
SLICER

"HIGH WATER"
ALARM FLOAT

COMBO VALVE, SST
ANTI-SIPHON
CHECK VALVE
PRESSURE RELIEF VALVE

"ON-OFF" FLOAT

PUMP STAND, SST

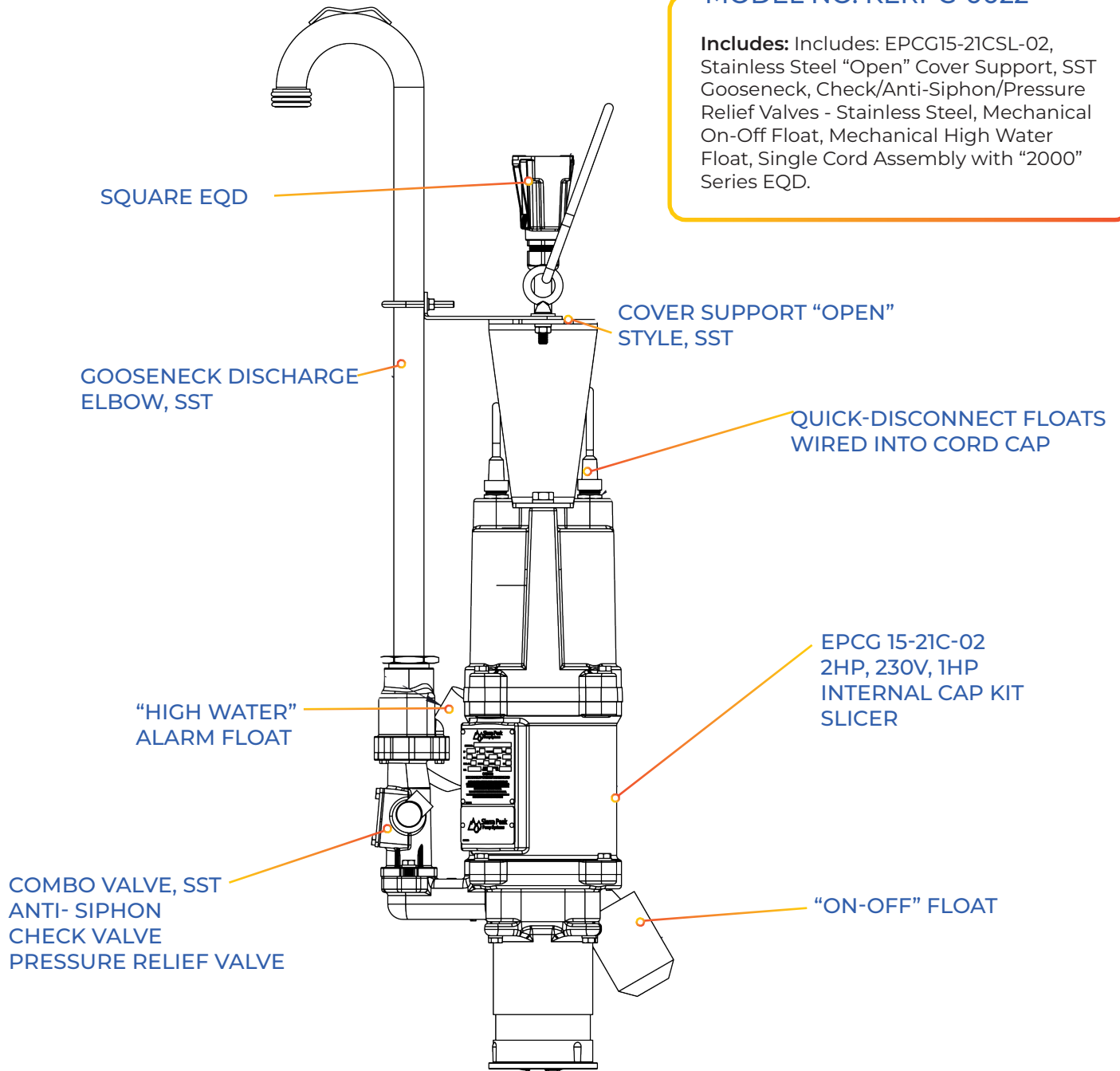


E/One® is a registered trademark of Environment One Corporation and is not affiliated with Keen Pump Company, Inc.

REV 01/2024

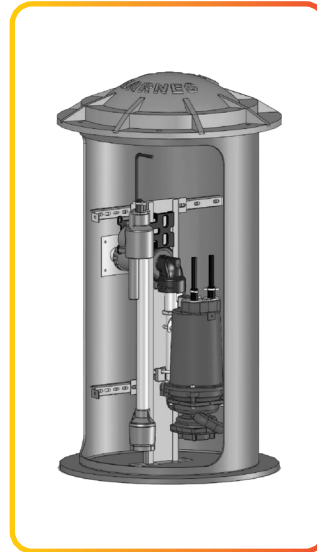
MODEL NO. KERPC-0022

Includes: Includes: EPCG15-21CSL-02, Stainless Steel "Open" Cover Support, SST Gooseneck, Check/Anti-Siphon/Pressure Relief Valves - Stainless Steel, Mechanical On-Off Float, Mechanical High Water Float, Single Cord Assembly with "2000" Series EQD.





Replace Any Existing "C" Rail System with a KEEN PUMP Centrifugal or Semi-Open 2hp Grinder Pump!



INCLUDES

- 2HP Pump with Slicer or Grinder
- C Rail Piping Assy
- Keen 2HP Start Kit

FEATURES

- Centrifugal or Semi-Open 2hp Grinders
- High Flow or High Head Design
- Superior Dual Silicon-Carbide Seals
- Internal or External Start Components Available
- Stainless Steel Pipe & Discharge Elbow
- Liftout Designed to Match Existing System!
- Corrosion-Resistant Materials

BARNES® is a registered trademark of CRANE®
A Crane Co. Company and is not a liated with
Keen Pump Company, Inc.

2HP CENTRIFUGAL GRINDER

- KG2
- KHG2
- KFG2
- SKG2



HEADS TO 290 FT
FLOWS TO 68 GPM

2HP SEMI-OPEN GRINDER

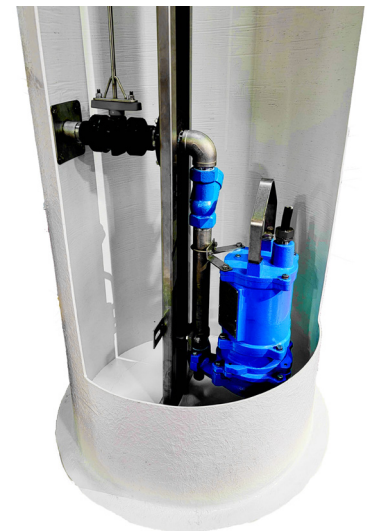
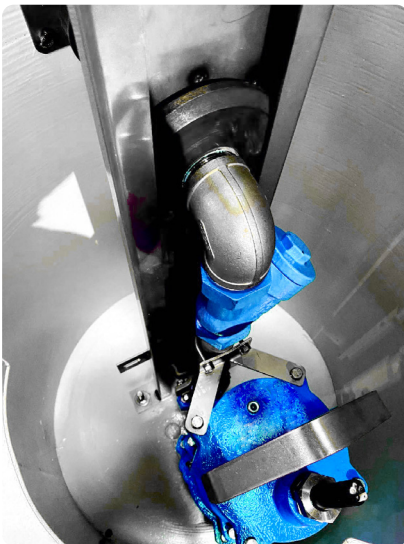
- KGS2
- KHGS2
- KTG2



ANY RESIDENTAL GRINDER SEE SECTION 3

PUMP ASSEMBLY INCLUDES

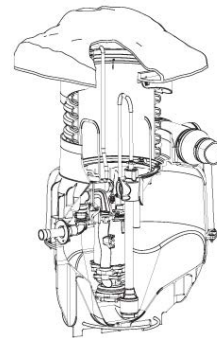
- Stainless Steel Disc
- Stainless Steel Lower Bracket Assembly
- Stainless Steel U-Bolt/Bracket
- Stainless Steel Pipe/Fittings
- Cast Iron Ball Check Valve



BARNES® is a registered trademark of CRANE®
A Crane Co. Company and is not a liated with
Keen Pump Company, Inc.



Replace Any Existing EcoTRAN System with a KEEN PUMP Centrifugal 2hp Grinder Pump!



**EcoTRAN System
BARNES™**

FEATURES

- Pressed in, Heavy-Duty Motor
- Superior Single Silicon Carbide Seals
- 2-Bearing Design
- Internal Start Components Available
- Stainless Steel Pipe & Discharge Elbow
- Quick Disconnect Float Controls

BARNES® is a registered trademark of CRANE® A Crane Co. Company and is not a liated with Keen Pump Company, Inc.

KMR-RWG

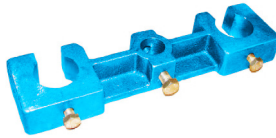
KEEN 2hp Grinder Liftout Replacement

(Fits Any Keen Pump 2hp Centrifugal Grinder)



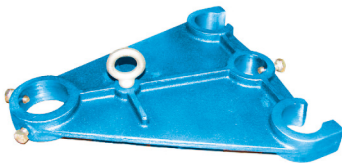
Part No. : K-RWG-CASE

Description: Discharge Case, C.I.



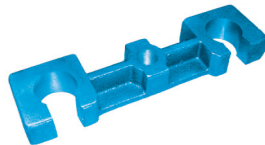
Part No. : K-RWG-THD

Description: Top Holddown, C.I.



Part No. : K-RWG-GUIDE

Description: Guide Plate, C.I.



Part No. : K-RWG-BHD

Description: Bottom Holddown, C.I.



Part No. : K-RWG-SEAL

Description: Seal Sleeve-Guide, C.I.



Part No. : K-RWG-YOKE

Description: Rail Yoke, C.I.



(Pump Not Included)

Part No. : KMR-RWGB
Description: Lift-out Discharge /Rail Kit

Includes: K-RWG-GUIDE, K-RWG-SEAL, 1-1/4" SST Pipe & Fittings, 1-1/4" Brass Swing Check Valve, Seal O-rings, Set Screws, Lifting Eye-bolt



KPG-LCG2-001

Myers 2hp Grinder Liftout Replacement

(Fits Any Keen Pump 2hp Centrifugal Grinder)



(Pump Included)

Part No. : KPG-LCG2-001

Description: Lift-out Discharge /Rail Kit

Features:

- Liftout Designed to Match Existing System
- Easy, Dependable “Slide-In” Pump Installation
- Available With a Variety of High Head or Flow Grinder Pumps

Includes:

- LCG2-2401(SL)
- 2HP Pump w/ Slicer or Grinder
- KMR-RWGB
- Myers Rail Assy.
- SK-2A
- Keen 2HP Start Kit