



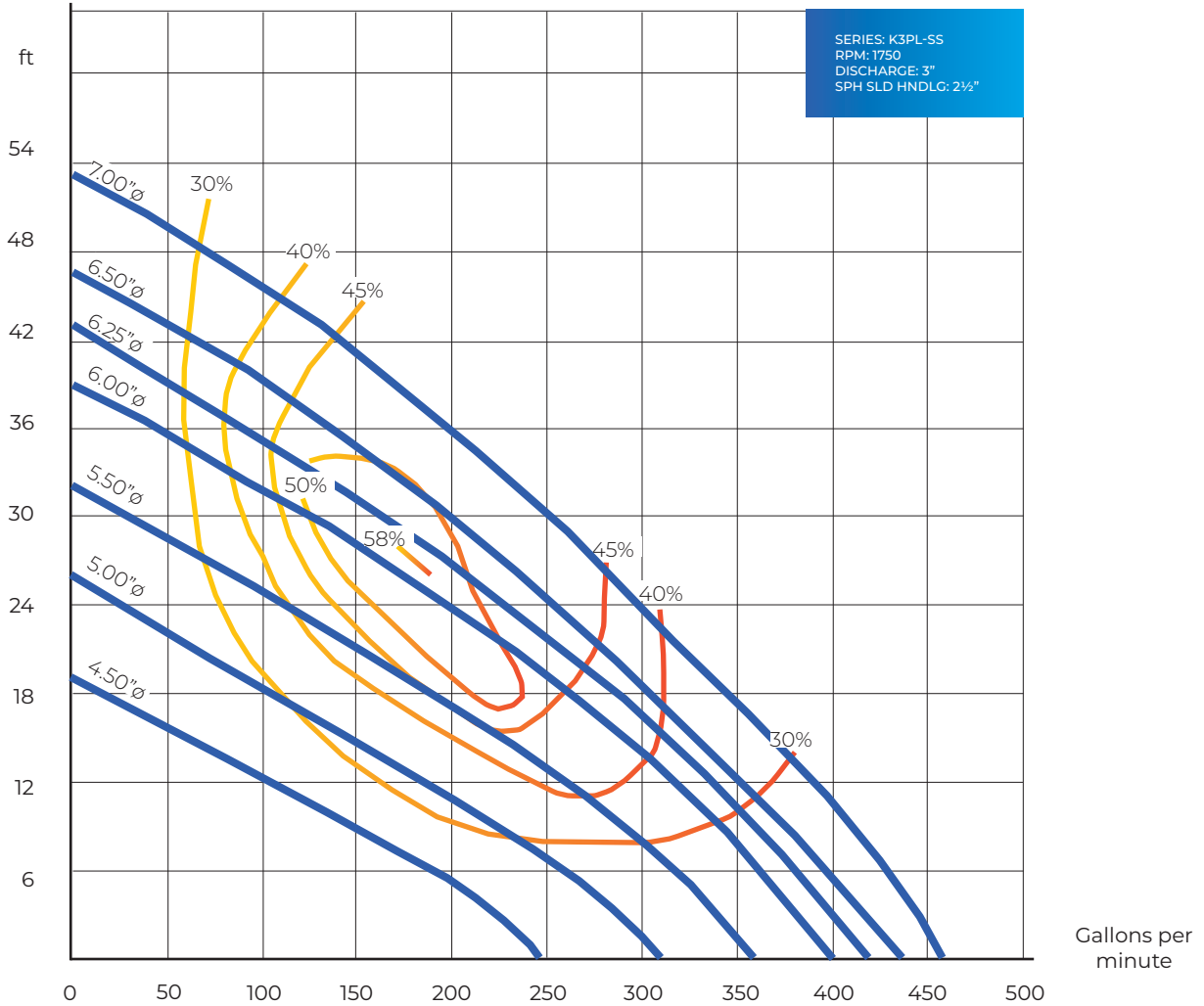
## K3PL-S

1.5HP & 2HP Solids Handling

- 2 1/2" Solids Handling
- 3" NPT Vertical Discharge
- Inboard Single Mechanical Seal
- Durable Cast Iron Construction
- Manual Models

PUMP SERIES		K3PL-S			1.5HP & 2HP 2 VANE SEMI-OPEN IMPELLER	
Speed	1750 RPM	Discharge	3"	FULL IMPELLER		

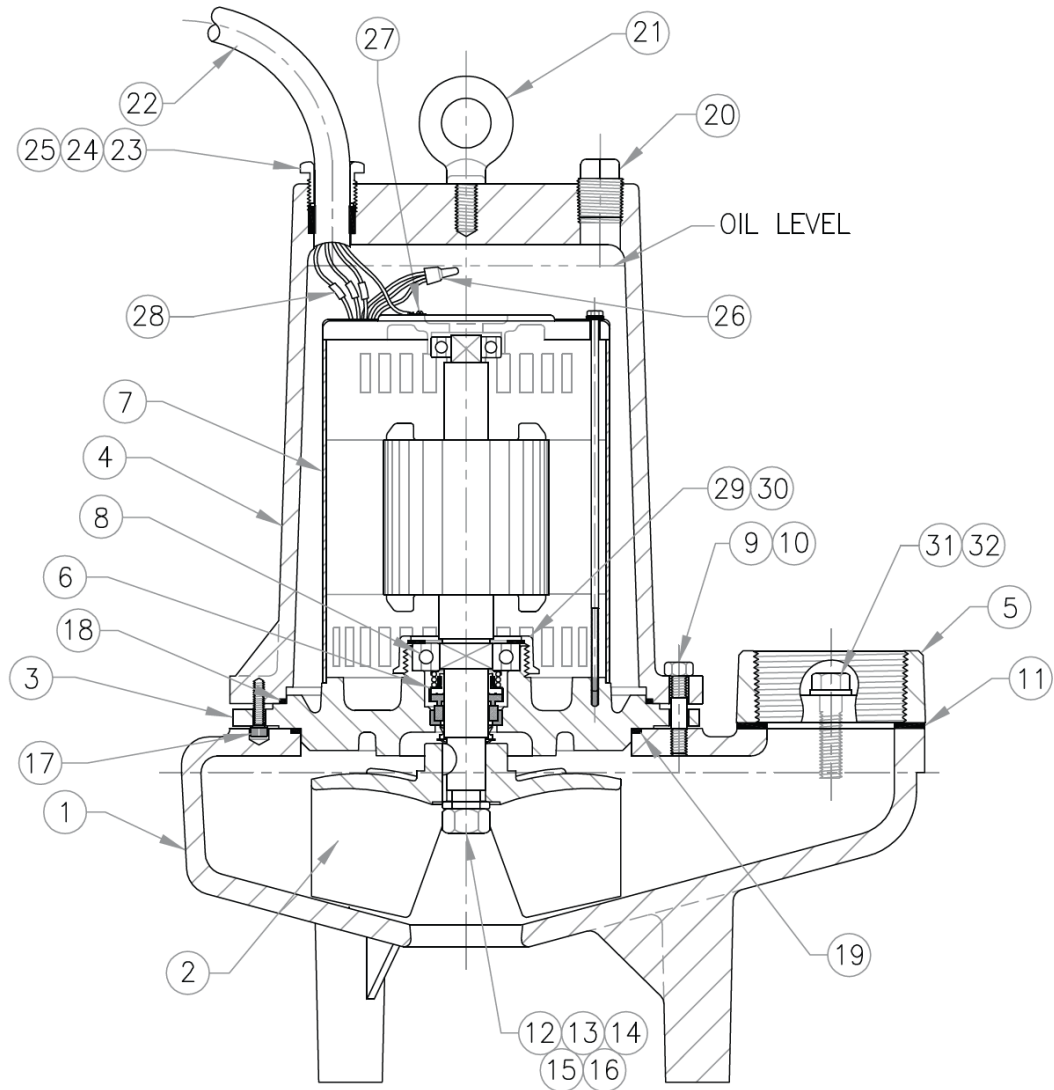
GPM: \_\_\_\_\_ TDH: \_\_\_\_\_



**IMPORTANT!**

1. Never use this pump to handle explosive liquids.
2. This pump is not approved to be used in swimming pools, recreational installations or any application where human contact may be common.
3. Pump may be operated "dry" for extended periods without damage to motor and or/seals.
4. Testing is performed with water specific gravity of 1.0 @ 68°F (20°C); other fluids may vary performance.

► K3PL15M4-03S, K3PL15M4-23S, K3PL15M4-43S,  
K3PL20M4-03S, K3PL20M4-23S, K3PL20M4-43S

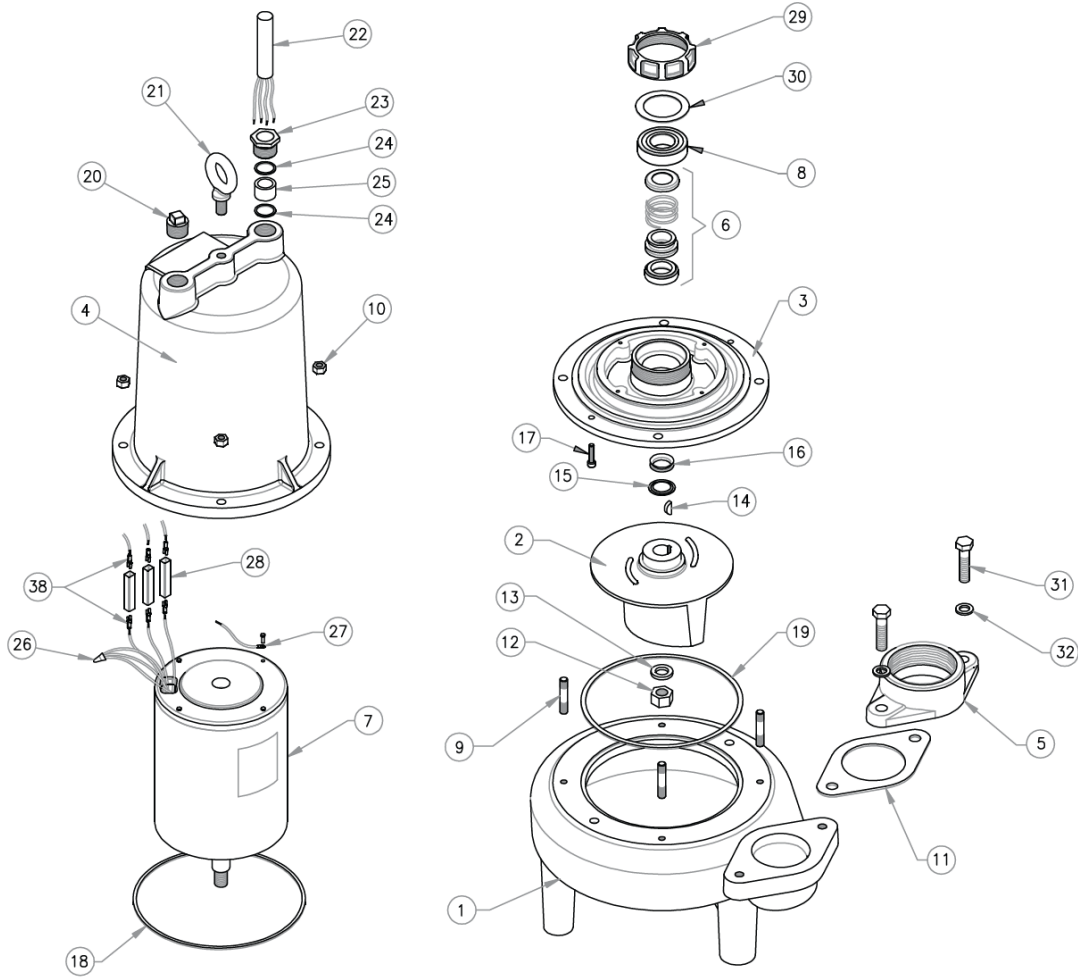


**For Repair Part Please Supply:**

Model Number and Serial as shown on Name Plate, and Part Description and Part Number as shown on Parts List.



► K3PL15M4-03S, K3PL15M4-23S, K3PL15M4-43S,  
K3PL20M4-03S, K3PL20M4-23S, K3PL20M4-43S



**For Repair Part Please Supply:**

Model Number and Serial as shown on Name Plate, and Part Description and Part Number as shown on Parts List.

► **K3PL15M4-03S, K3PL15M4-23S, K3PL15M4-43S,  
K3PL20M4-03S, K3PL20M4-23S, K3PL20M4-43S**

ITEM	QTY.		DESCRIPTION	PART No.
1	1		Volute	03090034
2	1	■	Impeller 6.25"Ø (For K3PL15M4-03/23S & K3PL15M4-43S)	03140029B
			Impeller 7.00"Ø (For K3PL20M4-03/23S & K3PL20M4-43S)	03140029
3	1		Seal Plate	03180012
4	1		Motor Housing	03100002
5	1		Discharge Flange	03060014
6	1	▲	Shaft Seal - Silicon Carbide	31030152
7	1	■	Motor 2 hp, 230/460 V, 3 ph	40040005
8	1	▲	Ball Bearing	31020010
9	4	◆	Stud 3/8"-16UNC x 2" lg. SS # 33824	91010374
10	4	◆	Hex Nut 3/8"-16UNC SS # 18927	91010433
11	1	▲	Discharge Gasket	92010125
12	1	▲	Impeller Nut 5/8"-18UNF, SS # 38132	91010442
13	1	▲	Washer 5/8" SS # 70320	91010063
14	1	▲	Shaft Key	91010111
15	1	▲	Washer Impeller # 62641	91010051
16	1	▲	V-Gasket # 61829	92010112
17	2	◆	Socket Head Cap Screw 1/4"-20UNC x 1" lg. SS	91010392
18	1	▲	Gasket Housing - Seal Plate # 33730	92010083
20	1	◆	Pipe Plug 3/4" NPT	93010148
21	1	◆	Eye Bolt 1/2"-13UNC x 1.0" lg.	91010406
-	1	■	Power Cable Assy. (*) Includes 22, 23, 24, & 25	-
22	1	*	Power Cable, 25 Feet, 10/4 SOW	31030003
23	1	*	Hex Head Plug	30400903
24	2	*	Friction Ring # 54746	91010055
25	1	*	Grommet # 514	92010001
26			Wire Connector # 1921	94010012
	1		For K3PL15M4-03/23S & K3PL20M4-03/23S	-
	3		For K3PL15M4-43S & K3PL20M4-43S	-
27	1	◆	Eye terminal 3/16"	94010043
28	3		Terminal Connector	94010027
29	1	▲	Conduit Bushing # 53749	31190021
30	1	▲	Washer Bushing # 53756	91010054
31	2	◆	Screw 1/2"-13UNC x 1 3/4" lg., SS	91010364
32	2	◆	Lockwasher 1/2" SS	91010062
38	6		Female Connector	94010041
39	1.50 gal.	◆	Oil Motor Housing	31010031

◆ = Acquire standard hardware locally.

▲ = Overhaul Kit.

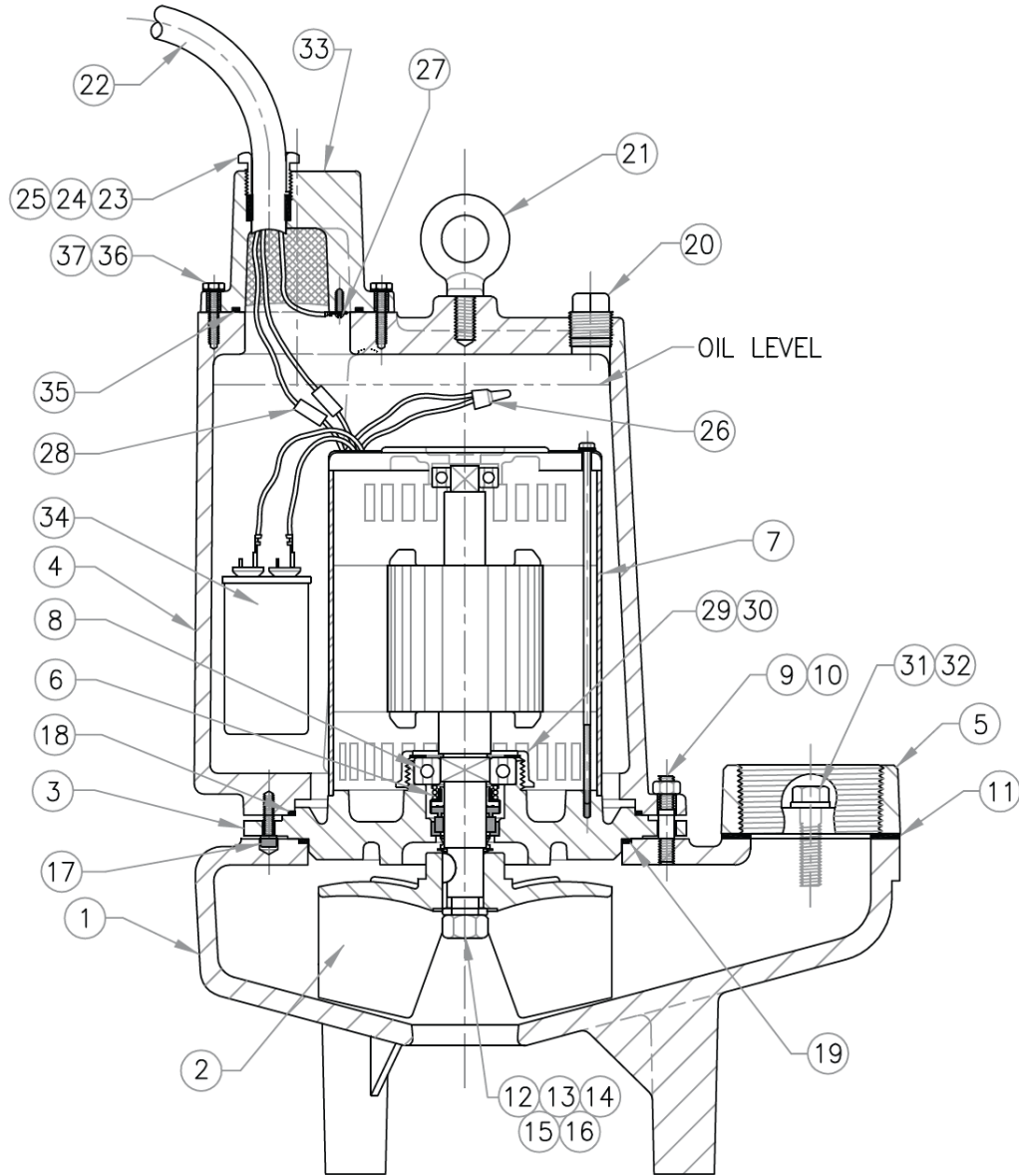
■ = Supplied as individual items.

**For Repair Part Please Supply:**

Model Number and Serial as shown on Name Plate, and Part Description and Part Number as shown on Parts List.



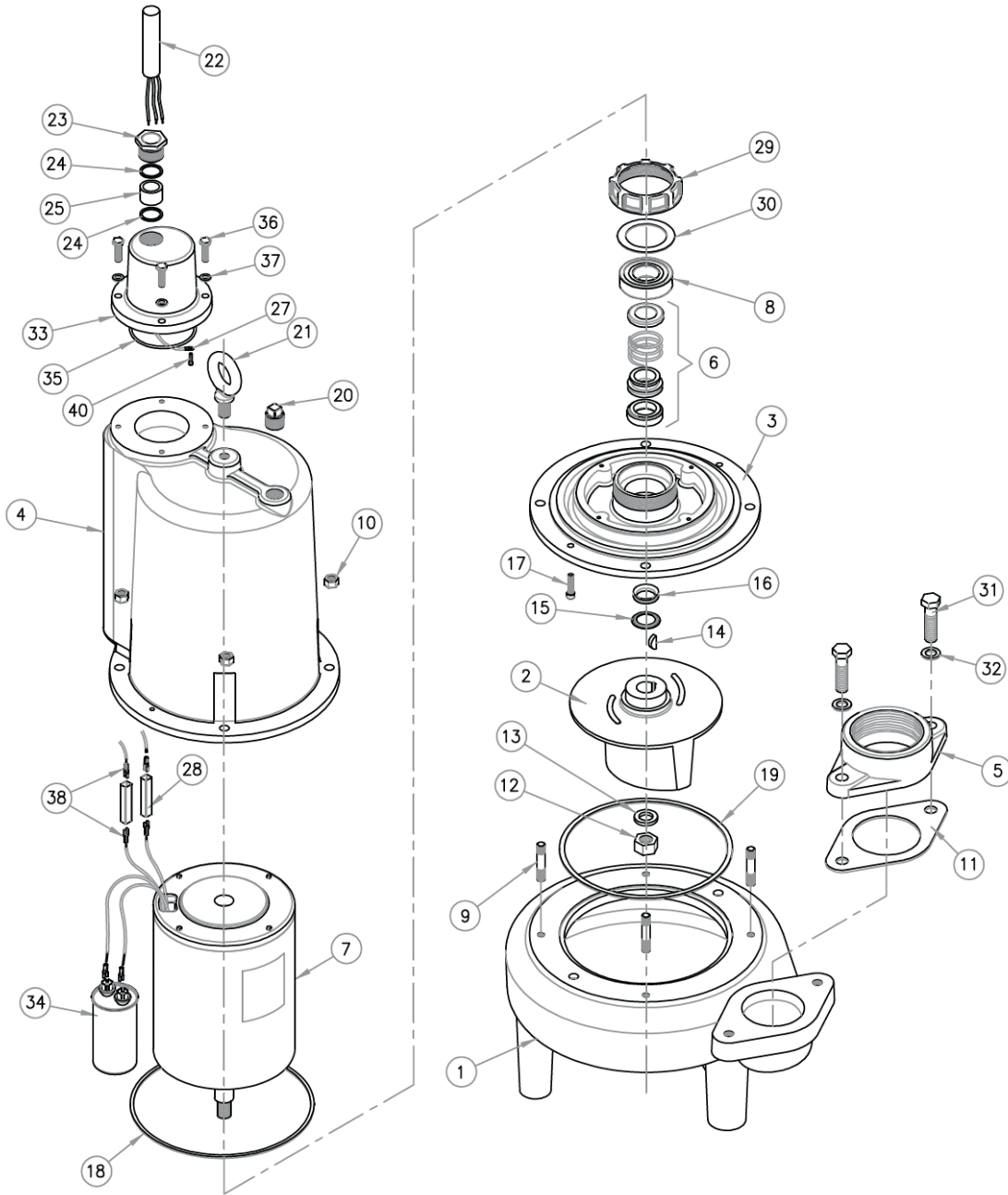
► K3PL15M4-21S, K3PL20M4-21S,  
K3PL30M4-21S



**For Repair Part Please Supply:**

Model Number and Serial as shown on Name Plate, and Part Description and Part Number as shown on Parts List.

► K3PL15M4-21S, K3PL20M4-21S,  
K3PL30M4-21S



**For Repair Part Please Supply:**

Model Number and Serial as shown on Name Plate, and Part Description and Part Number as shown on Parts List.



► **K3PL15M4-21S, K3PL20M4-21S,  
K3PL30M4-21S**

ITEM	QTY.		DESCRIPTION	PART No.
1	1		Volute	03090034
			Impeller 6.25"Ø (For K3PL15M4-21S)	03140029B
2	1	■	Impeller 7.00"Ø (For K3PL20M4-21S)	03140029
			Impeller 7.50"Ø (For K3PL30M4-21S)	03140093
3	1		Seal Plate	03180012
4	1		Motor Housing	03100009
5	1		Discharge Flange	03060014
6	1	▲	Shaft Seal - Silicon Carbide	31030152
7	1	■	Motor 3hp, 230 V, 1 ph	40040061
8	1	▲	Ball Bearing	31020010
9	4	◆	Stud 3/8"-16UNC x 2" Ig. SS # 33824	91010374
10	4	◆	Hex Nut 3/8"-16UNC SS # 18927	91010433
11	1	▲	Discharge Gasket	92010125
12	1	▲	Impeller Nut 5/8"-18UNF, SS # 38132	91010442
13	1	▲	Washer 5/8" SS # 70320	91010063
14	1	▲	Shaft Key	91010111
15	1	▲	Washer Impeller # 62641	91010051
16	1	▲	V-Gasket # 61829	92010112
17	2	◆	Socket Head Cap Screw 1/4"-20UNC x 1" Ig. SS	91010392
18	1	▲	Gasket Housing - Seal Plate # 33730	92010083
19	1	▲	Gasket Volute - Seal Plate # 27269	92010082
20	1	◆	Pipe Plug 1/2" NPT	93010150
21	1	◆	Eye Bolt 1/2"-13UNC x 1.0" Ig.	91010406
-	1	■	Conduit Box & Cable Assembly (*) Includes: 22, 23, 24, 25, 27 & 33	-
22	1	*	Power Cable, 25 Feet, 10/3 SOW	31030007
23	1	*	Hex Head Plug	30400902
24	2	*	Friction Ring # 51450	91010056
25	1	*	Grommet # 51451	92010007
26	2		Wire connector	94010011
27	1	◆	Eye terminal 3/16"	94010043
28	2		Terminal Connector	94010027
29	1	▲	Conduit Bushing # 53749	31190021
30	1	▲	Washer Bushing # 53756	91010054
31	2	◆	Screw 1/2"-13UNC x 1 3/4" Ig., SS	91010364
32	2	◆	Lockwasher 1/2" SS	91010062
33	1		Conduit box & Cable Assembly	03100010
34	1		Capacitor 45MFD 370V	31030038
35	1		O-Ring	92010063
36	4		Cap screw 1/4"-20UNC x 1.00" Ig. SS	91010342
37	4		Lockwasher 1/4" SS	91010066
38	4		Female Connector	94010041
39	1.85 gal.	◆	Oil Motor Housing	31010031
40	1		Pan Head Screw 6-32 x 3/8" Ig.	91010408

◆ = Acquire standard hardware locally.

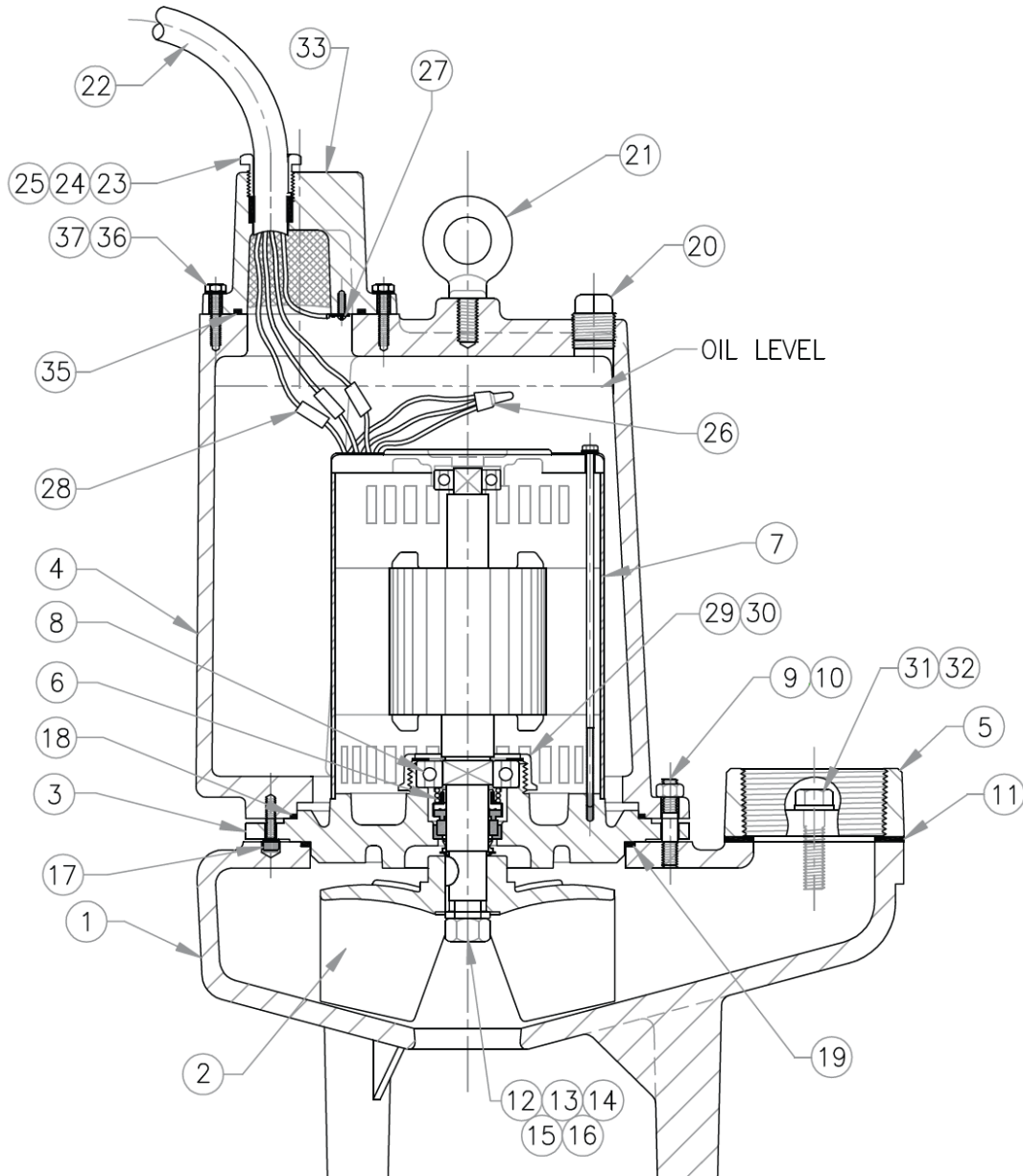
▲ = Overhaul Kit.

■ = Supplied as individual items.

**For Repair Part Please Supply:**

Model Number and Serial as shown on Name Plate, and Part Description and Part Number as shown on Parts List.

► K3PL30M4-03S, K3PL30M4-23S, K3PL30M4-43S

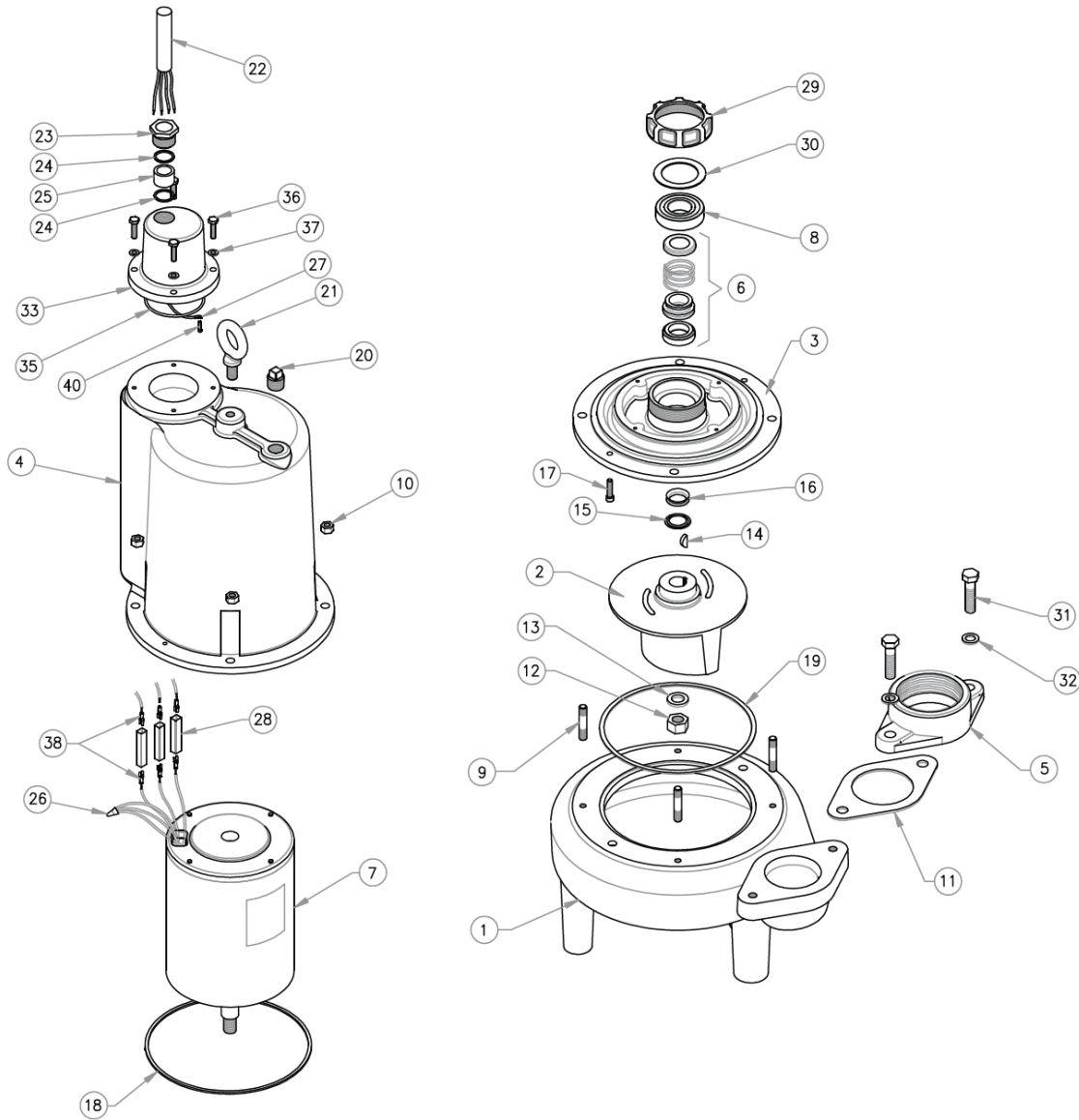


**For Repair Part Please Supply:**

Model Number and Serial as shown on Name Plate, and Part Description and Part Number as shown on Parts List.



► K3PL30M4-03S, K3PL30M4-23S, K3PL30M4-43S



**For Repair Part Please Supply:**

Model Number and Serial as shown on Name Plate, and Part Description and Part Number as shown on Parts List.

## ► K3PL30M4-03S, K3PL30M4-23S, K3PL30M4-43S

ITEM	QTY.	DESCRIPTION	PART No.
1	1	Volute	03090034
2	1	■ Impeller 7.50"Ø (For K3PL30M4-03/23S & K3PL30M4-43S)	03140093
3	1	Seal Plate	03180012
4	1	Motor Housing	03100009
5	1	Discharge Flange	03060014
6	1	▲ Shaft Seal - Silicon Carbide	31030152
7	1	■ Motor 3hp, 230/460V, 3 ph	40040006
8	1	▲ Ball Bearing	31020010
9	4	◆ Stud 3/8"-16UNC x 2" lg. SS # 33824	91010374
10	4	◆ Hex Nut 3/8"-16UNC SS # 18927	91010433
11	1	▲ Discharge Gasket	92010125
12	1	▲ Impeller Nut 5/8"-18UNF, SS # 38132	91010442
13	1	▲ Washer 5/8" SS # 70320	91010063
14	1	▲ Shaft Key	91010111
15	1	▲ Washer Impeller # 62641	91010051
16	1	▲ V-Gasket # 61829	92010112
17	2	◆ Socket Head Cap Screw 1/4"-20UNC x 1" lg. SS	91010392
18	1	▲ Gasket Housing - Seal Plate # 33730	92010083
19	1	▲ Gasket Volute - Seal Plate # 27269	92010082
20	1	◆ Pipe Plug 1/2" NPT	93010150
21	1	◆ Eye Bolt 1/2"-13UNC x 1.0" lg.	91010406
22	1	* Power Cable, 25 Feet, 10/4 SOW	31030003
23	1	* Hex Head Plug	30400903
24	2	* Friction Ring # 54746	91010055
25	1	* Grommet # 514	92010001
		Wire connector	94010012
26	1	For K3PL30M4-03/23S	-
	3	For K3PL30M4-43S	-
27	1	◆ Eye terminal 3/16"	94010043
28	3	Terminal Connector	94010027
29	1	▲ Conduit Bushing # 53749	31190021
30	1	▲ Washer Bushing # 53756	91010054
31	2	◆ Screw 1/2"-13UNC x 1 3/4" lg., SS	91010364
32	2	◆ Lockwasher 1/2" SS	91010062
33	1	Conduit box & Cable Assembly	03100010
35	1	O-Ring	92010063
36	4	Cap screw 1/4"-20UNC x 1.00" lg. SS	91010342
37	4	Lockwasher 1/4" SS	91010066
38	6	Female Connector	94010041
39	1.85 gal.	◆ Oil Motor Housing	31010031
40	1	Pan Head Screw 6-32 x 3/8" lg.	91010408

◆ = Acquire standard hardware locally.

▲ = Overhaul Kit.

■ = Supplied as individual items.

**For Repair Part Please Supply:**

Model Number and Serial as shown on Name Plate, and Part Description and Part Number as shown on Parts List.



MODEL	PART NO.	HP	VOLTS	PHASE	RPM	MAX AMPS	LOCKED ROTOR AMPS	NEMA CODE	CORD SIZE	CORD TYPE	CORD O.D.	WEIGHT (POUNDS)
K3PL15M4-21S	62170010	1.5	230	1	1750	12.6	23	B	10/3	SJO	25'	225
K3PL15M4-03S	62170011	1.5	200	3	1750	11.6	36	H/L	10/4	SJO	25'	207
K3PL15M4-23S	62170011	1.5	230	3	1750	11.6	36	H/L	10/4	SJO	25'	207
K3PL15M4-43S	62170012	1.5	460	3	1750	5.8	17.5	L	10/4	SJO	25'	229
K3PL20M4-21S	62170013	2	230	1	230	14.5	29	B	10/3	SJO	25'	207
K3PL20M4-03S	62170014	2	200	3	200	14	50.8	J/M	10/4	SJO	25'	207
K3PL20M4-23S	62170014	2	230	3	230	14	50.8	J/M	10/4	SJO	25'	207
K3PL20M4-43S	62170015	2	460	3	460	7	25.4	M	10/4	SJO	25'	207