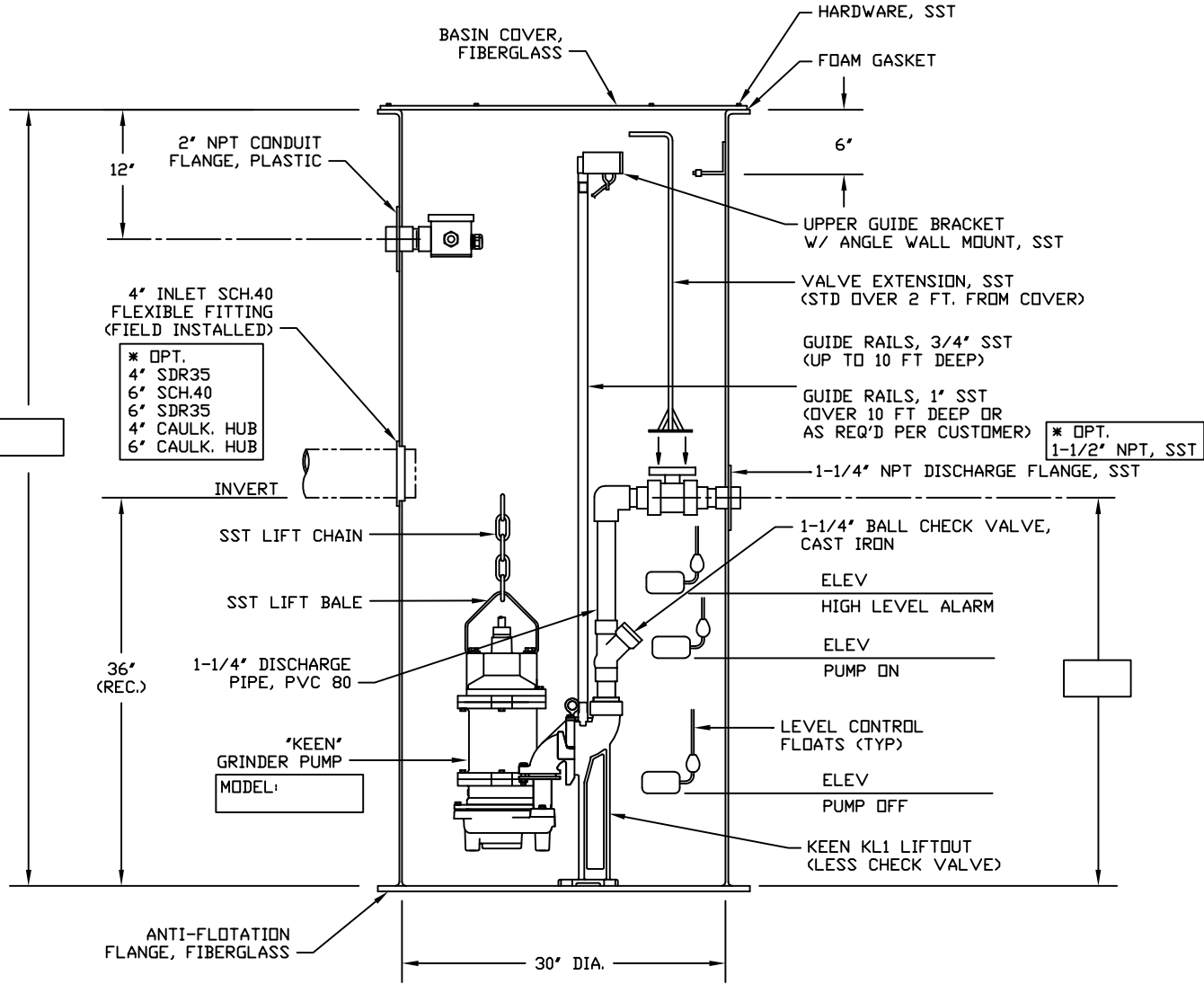
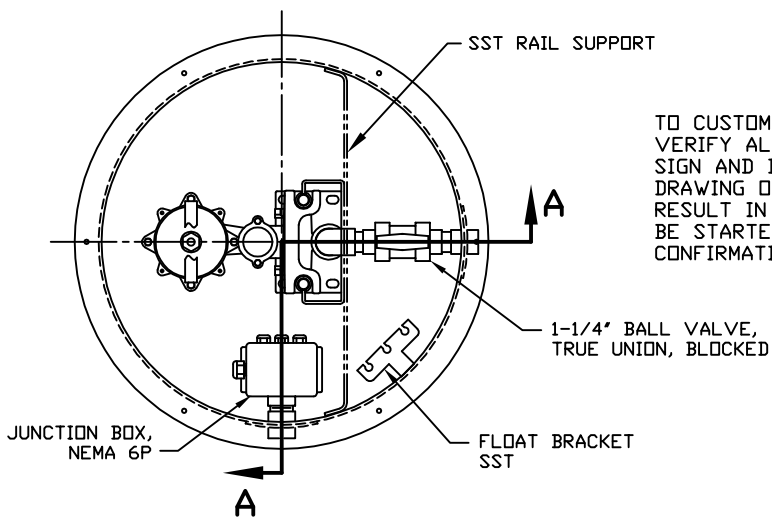


APPROVED BY: \_\_\_\_\_  
 DATE: \_\_\_\_\_

TO CUSTOMER: EXAMINE THIS DRAWING CAREFULLY. VERIFY ALL DIMENSIONS, LOCATIONS, AND ELEVATIONS FOR ACCURACY. SIGN AND DATE AT LINE. ANY MODIFICATIONS OR CHANGES TO THIS DRAWING OR FINISHED PRODUCT, AFTER IT HAS BEEN SIGNED, MAY RESULT IN ADDITIONAL CHARGES AND SHIPPING DELAYS. NO JOB WILL BE STARTED UNTIL CONFIRMATION THROUGH SIGNATURE. CONFIRMATION THROUGH SIGNATURE RELEASES ORDER FOR PRODUCTION.



SECTION A-A

NOTE: ALL DIMENSIONS FOR REFERENCE ONLY

REV	INITIALS	DATE

		KEEN PUMP CO. 471E ST. ROUTE 250 EAST ASHLAND, OHIO 44805	PHONE: 419-207-9400 FAX: 419-207-8031
TITLE <b>BASIN ASSY; 30\"/&gt; </b>			
SCALE		DWG. #	REV.
NTS		KN-671	-
DWG. BY	DATE		
SE	01/02/13		