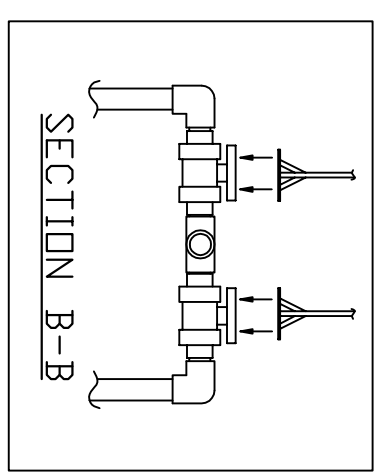
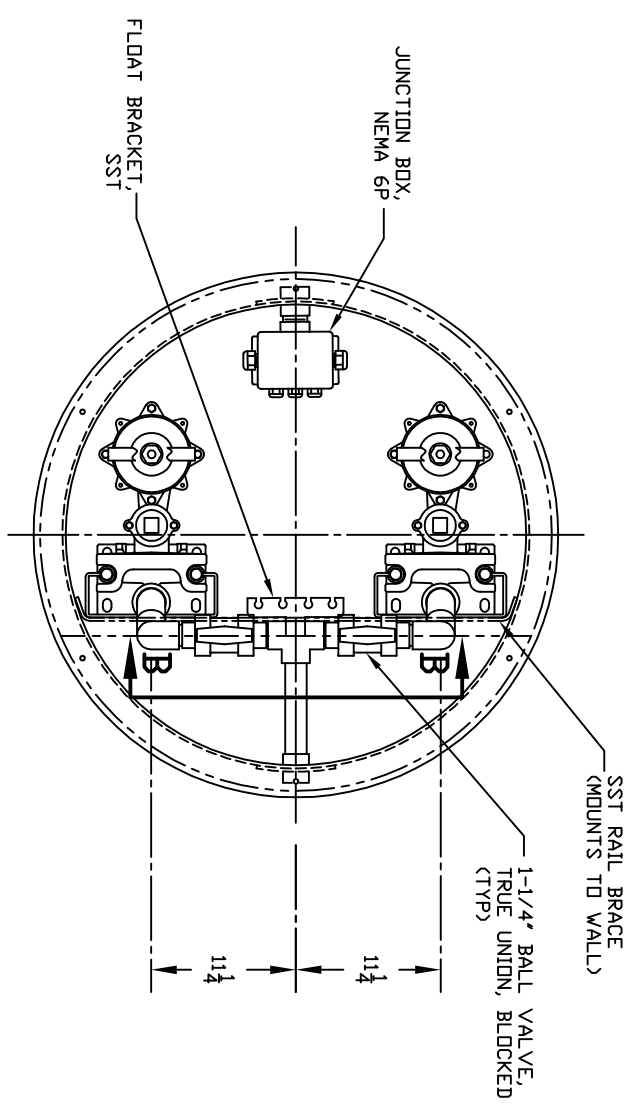
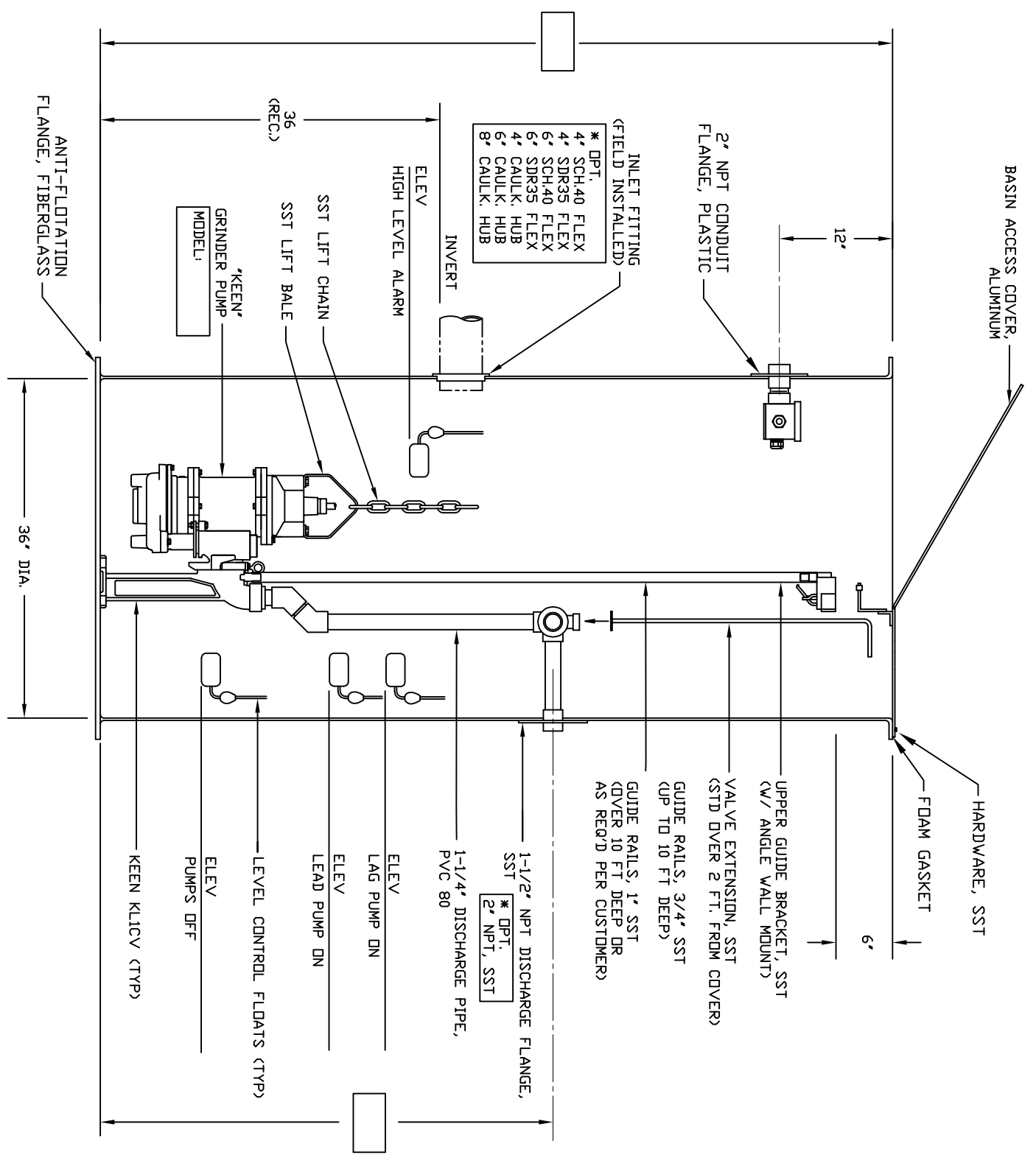


APPROVED BY: _____
 DATE: _____

TO CUSTOMER: EXAMINE THIS DRAWING CAREFULLY. VERIFY ALL DIMENSIONS, LOCATIONS, AND ELEVATIONS FOR ACCURACY. SIGN AND DATE AT LINE. ANY MODIFICATIONS OR CHANGES TO THIS DRAWING OR FINISHED PRODUCT, AFTER IT HAS BEEN SIGNED, MAY RESULT IN ADDITIONAL CHARGES AND SHIPPING DELAYS. NO JOB WILL BE STARTED UNTIL CONFIRMATION THROUGH SIGNATURE RELEASES ORDER FOR PRODUCTION.



NOTE: ALL DIMENSIONS FOR REFERENCE ONLY

REV	INITIALS	DATE

KEEN PUMP CO.
 477E ST. ROUTE 250 EAST
 ASHLAND, OHIO 44805
 PHONE: 419-207-9400
 FAX: 419-207-8031

KEEN PUMP COMPANY

TITLE: BASIN ASSY:36" DIA., ALL 182HP GR., DUP., KLICV, ALUM. CVR
 SCALE: NTS
 DWG. BY: SE
 DATE: 1/16/2012
 DWG. #: KN-467
 REV: -