

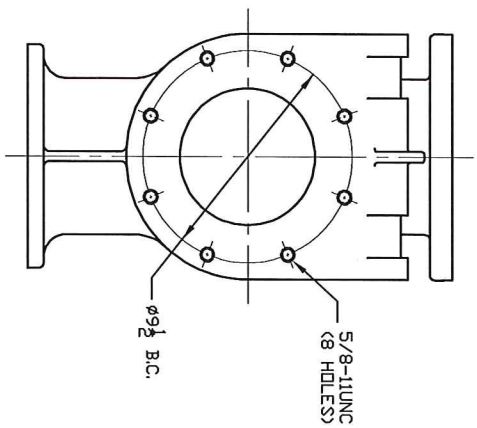
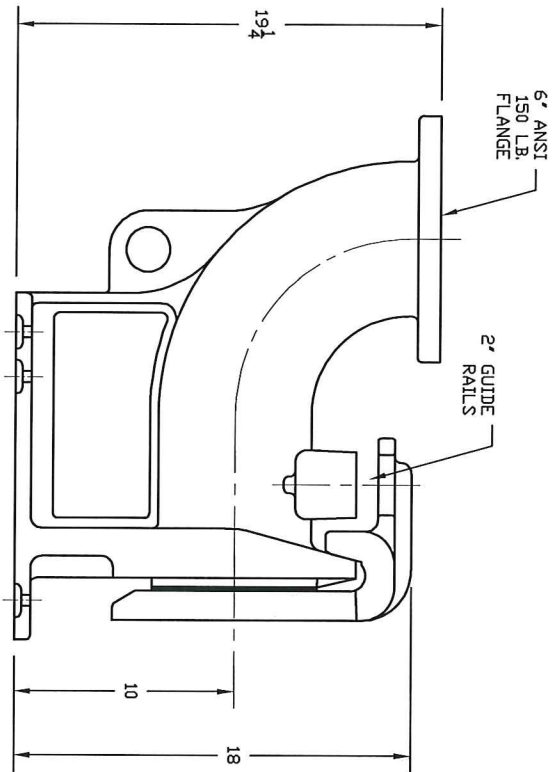
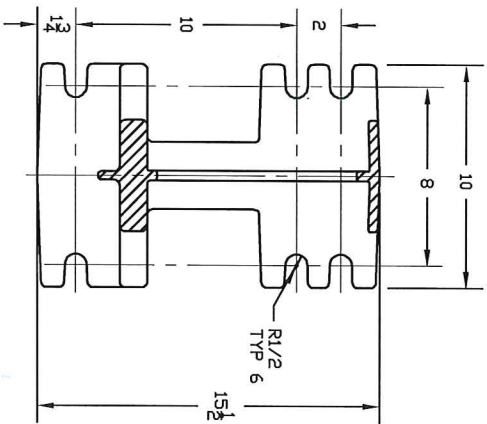
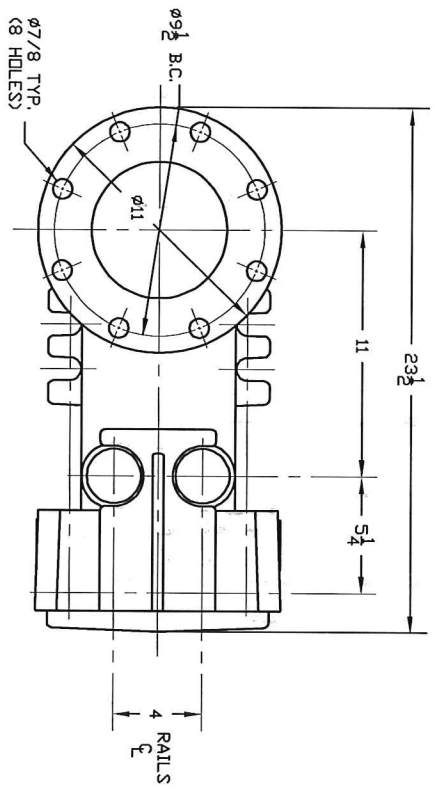
KL6

KEEN 6" Horizontal Liftout



- **6" Class 125 ANSI Flange (Pump Connection Discharge)**
- **1-1/2" or 2" Guide Rails**
- **Rated for Pumps up to 2,000 lbs.**
- **Dimensionally Interchangeable with Flygt**

- Base elbow provides quick and easy installation and removal of horizontal discharge Pumps up to 2000 lbs.
- Taper-base design supports liftout elbow and pump
- Standard with Buna-N Seal, Break-away Ring
- Optional Metal-to-Metal with SST Break-away Ring
- Optional with Heavy-Duty Gaskets



MATERIAL: CLASS 30 IRON
 PAINT: POWDER COAT BLUE

KEEN PUMP CO.
 471E ST ROUTE 250 EAST
 ASHLAND, OHIO 44805
 PHONE: 419-207-9400
 FAX: 419-207-8031

TITLE: KL6 6' PUMP LIFTOUT BASE/DISCONNECT

SCALE: NTS
 DWG. BY: SE
 DATE: 9/01/12
 DWG. #: KN-4
 REV: -