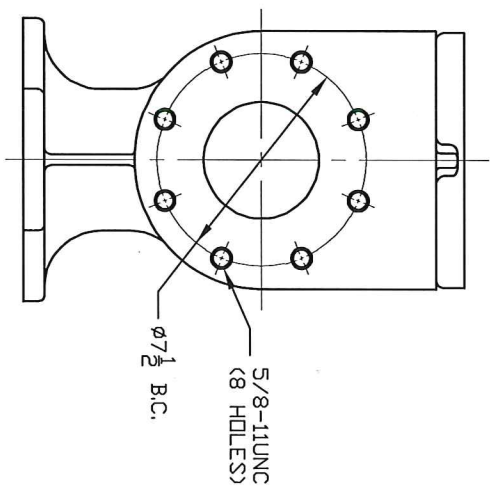
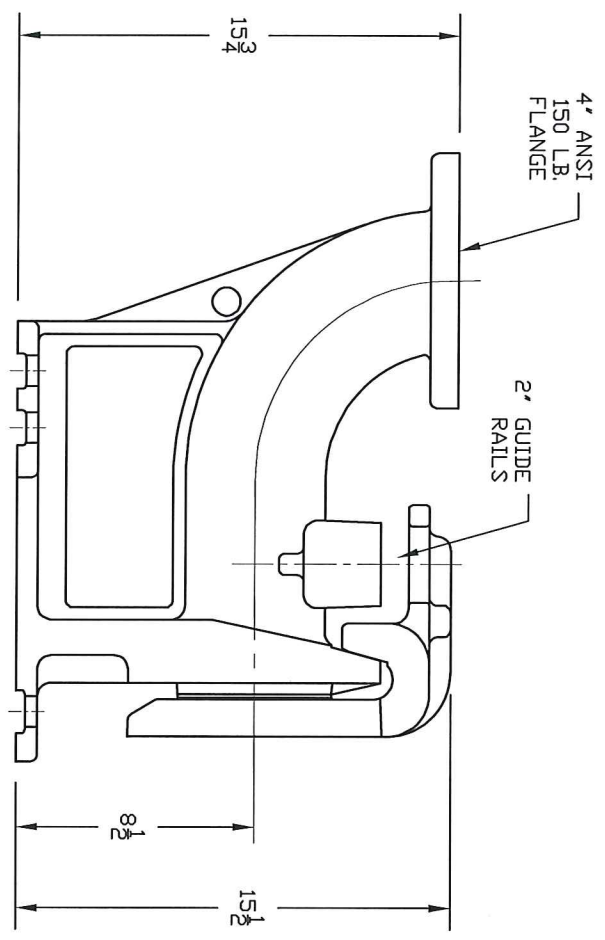
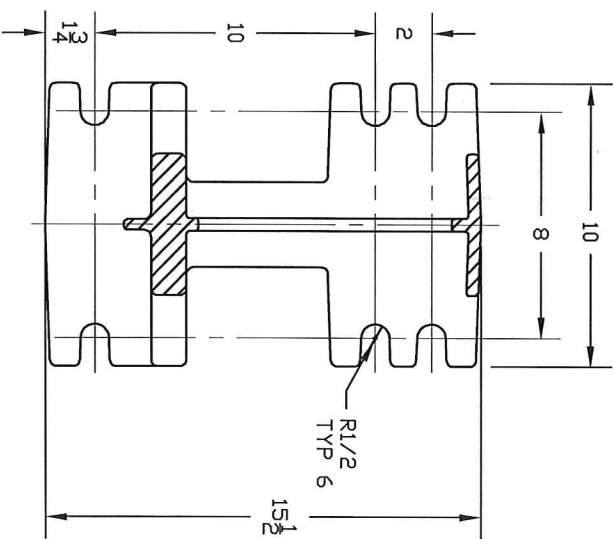
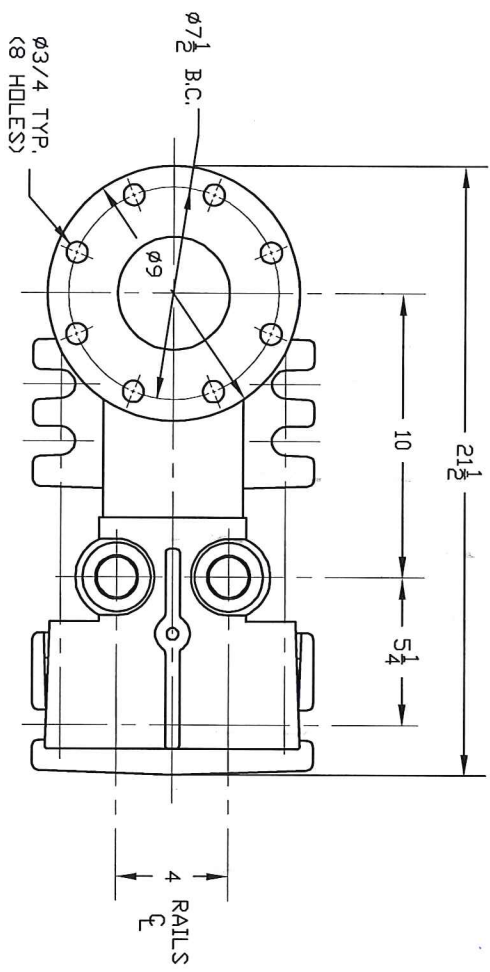


# KL4

## KEEN 4" Horizontal Liftout



- **4" Class 125 ANSI Flange (Pump Connection Discharge)**
  - **1-1/2" or 2" Guide Rails**
  - **Rated for Pumps up to 2,000 lbs.**
  - **Dimensionally Interchangeable with Flygt**
- 
- Base elbow provides quick and easy installation and removal of horizontal discharge Pumps up to 2000 lbs.
  - Taper-base design supports liftout elbow and pump
  - Standard with Buna-N Seal, Break-away Ring
  - Optional Metal-to-Metal with SST Break-away Ring
  - Optional with Heavy-Duty Gaskets



MATERIAL: CLASS 30 IRON  
PAINT: POWDER COAT BLUE

		KEEN PUMP CO. 477E ST ROUTE 250 EAST ASHLAND, OHIO 44805		PHONE: 419-207-9400 FAX: 419-207-8031	
TITLE: KL4 4" PUMP LIFTOUT BASE/DISCONNECT					
SCALE: NTS		DWG. #		REV.	
DWG. BY: SE		DATE: 8/27/11		KN-3	