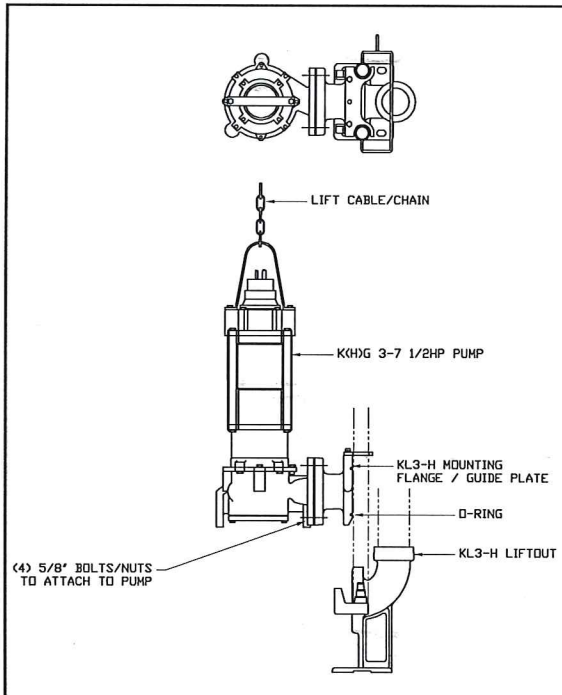


KL3H

KEEN 3" Horizontal Liftout

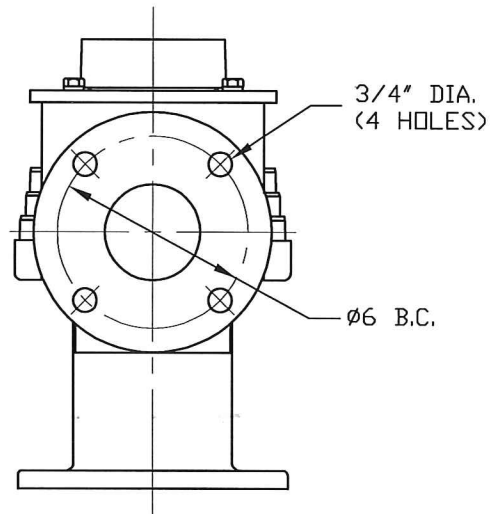
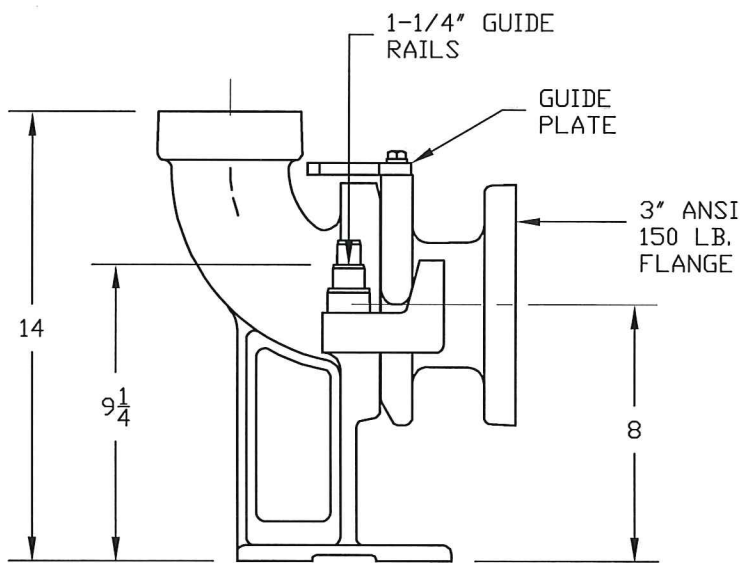
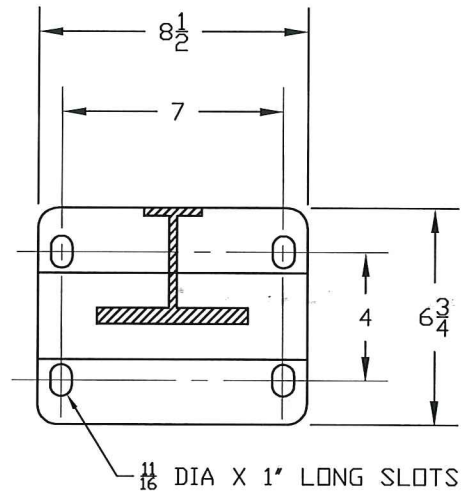
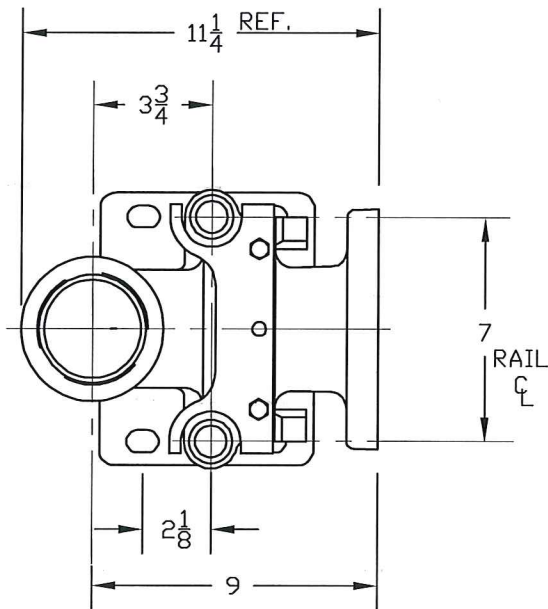


- Base elbow provides quick and easy installation and removal of horizontal discharge 1-10HP Pumps
- Taper-base arms support liftout elbow and pump
- Positive O-ring sealing face
- Automatic sealing pulls mating faces together
- Carries 100% pump load - no stress on rails

- Horizontal Flange, 3" ANSI, Class 125
- 3" NPT Female Vertical Discharge
- 1" or 1-1/4" Guide Rails
- Stress-Free Rail System
- Durable Cast Iron Base and Lift-Out Flange
- Stainless Steel Guide Plate



471E State Route 250 East · Ashland, Ohio 44805
419.207.9400 fax 419.207.8031
www.keenpump.com



MATERIAL
 ELBOW/FLANGE: CLASS 30 IRON
 PAINT: POWDER COAT BLUE
 GUIDE PLATE: SST
 FASTENERS: SST

NOTE: ALL DIMENSIONS FOR REFERENCE ONLY

A	FY	
REV	INITIALS	DATE

		KEEN PUMP CO. 471E ST ROUTE 250 EAST ASHLAND, OHIO 44805	PHONE: 419-207-9400 FAX: 419-207-8031
TITLE KL3H 3" PUMP LIFTOUT BASE/DISCONNECT			
SCALE NTS		DWG. # KN-6	REV. A
DWG. BY F. YUHASZ	DATE 9/03/08		